

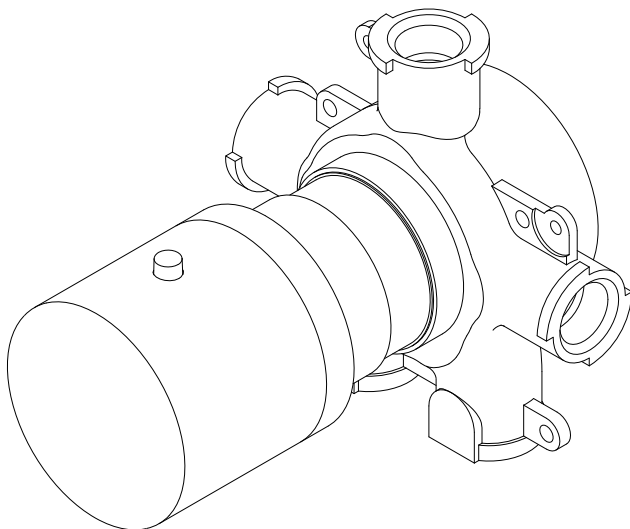
INSTALLATION INSTRUCTIONS

Thermostatic Concealed Shower Valve

壁式溫控閥安裝說明

Applicable Product Number:

適用產品型號:



6777-TW-80CP

CARE & CLEANING

清潔與保養

CAUTION : This product might be damaged by improper installation, acid cleaning solution, misuse, improper care and cleaning.

1. Always follow the INSTALLATION INSTRUCTIONS provided and use extreme care while installing.
2. Do not use acid cleaning solution or abrasive cleaner (Ex: Hydrochloric acid or toothpaste); test your cleaning solution on an inconspicuous area before applying to the entire surface.
3. Wipe surfaces clean and rinse completely with water immediately after applying cleaner. Do not soak with cleaners. Rinse and dry any overspray that lands on nearby surfaces.
4. Use a dampened sponge or cloth to clean surface. (Do not use abrasive material such as brush or scouring pad.)

注意：此產品有可能因為不當安裝，誤用酸性清潔劑或清潔方式不正確而造成產品受損。

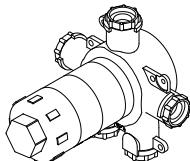
1. 產品安裝時必須依照產品所附的安裝說明和操作方式安裝。
2. 不可使用含有酸性或具研磨效果的清潔劑清洗（例如：鹽酸、牙膏），請先在產品較不顯眼的地方測試您的清潔方法，然後再應用到整個表面。
3. 產品塗佈清潔劑後，應立即擦拭除污，用清水沖洗，並擦乾產品和檯面。切勿讓清潔劑在產品表面浸濕潤漬過久。
4. 請使用濕海綿或乾淨棉布擦拭產品表面。（不可使用會刮傷或具研磨材質的刷子及鋼刷）。

FIXING CONTENTS

組配件內容

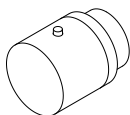
A. Valve Body X 1 **(with sleeve)**

牆壁內本體(含保護套筒)



B. Handle Assembly X 1

溫控閥把手



Inside Pipe Arrangement

管路示意圖

NOTICE

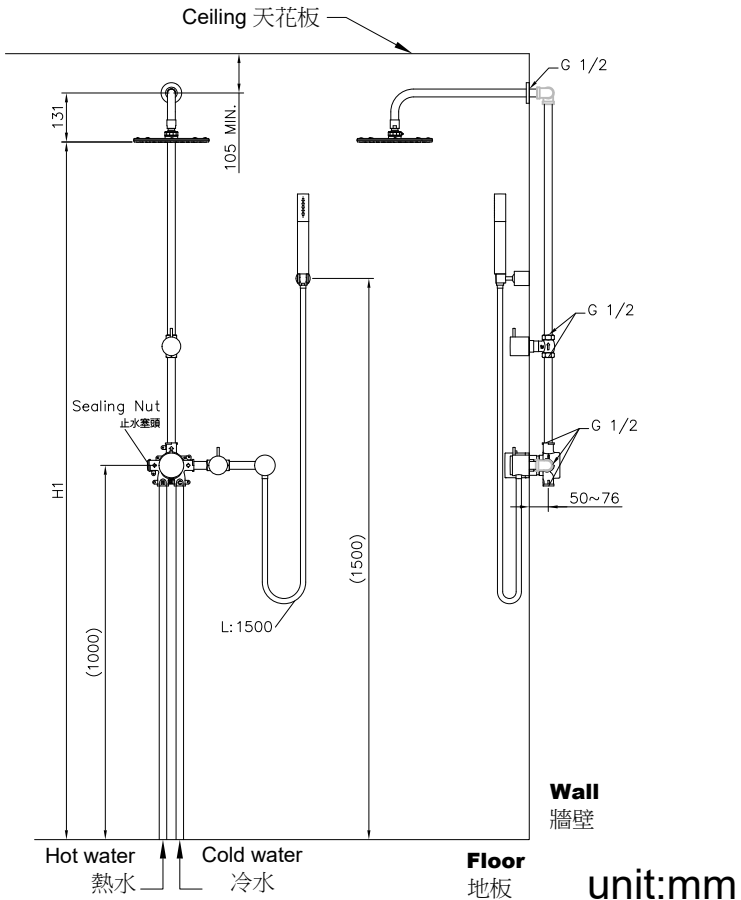
Suggested height of Rain Shower (H1) can be 200mm higher than the user's height.

Size in the parentheses is only for reference, please help to adjust the height to suit for independent situation.

※注意

花灑頭高度(H1)，建議以最高使用者身高加200mm。

()內之尺寸請依使用者之使用高度做調整，以下尺寸僅供參考。



Inside Pipe Arrangement

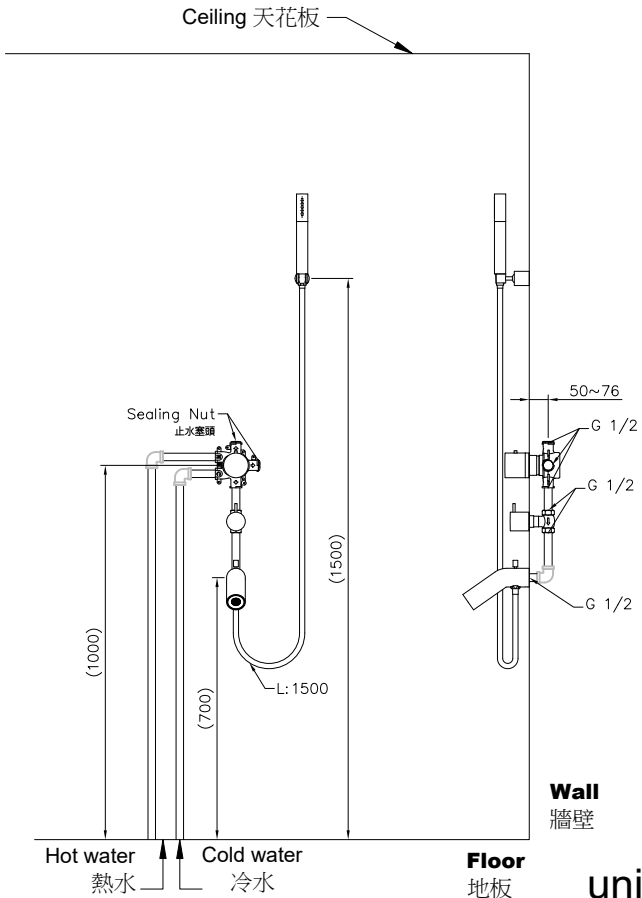
管路示意圖

NOTICE

Size in the parentheses is only for reference, please help to adjust the height to suit for independent situation.

※注意

()內之尺寸請依使用者之使用高度做調整，以下尺寸僅供參考。



INSTALLATION NOTE

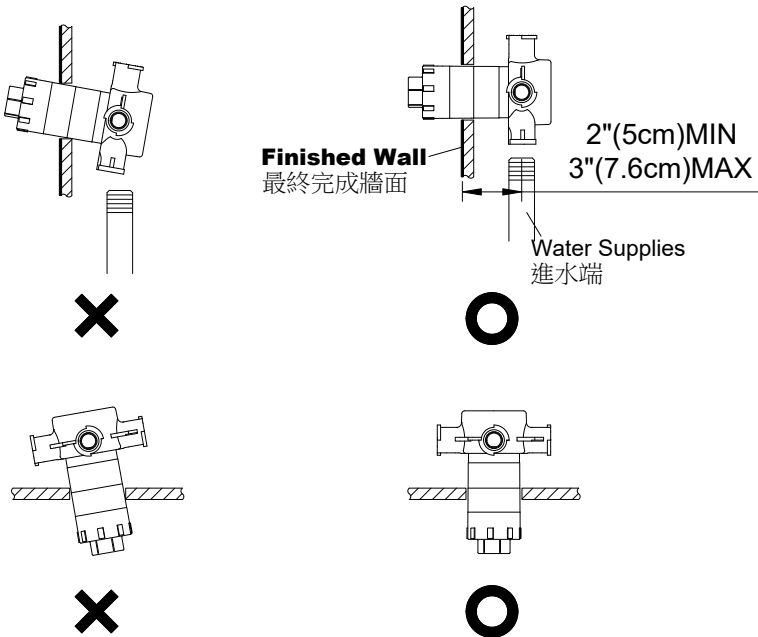
安裝注意事項

⚠ **CAUTION : Please read the following point carefully before Installation.**

1. Keep the **Valve Body** faces horizontal and parallel to the wall that will be finished.
2. Connect hot and cold supplies pipes to the valve body, and keep the distance between 2"(5cm) minimum and 3"(7.6cm) maximum from the finished wall; or keep the distance be 1.3" (3.8cm) to 2.3" (6cm) between top of cartridge and **Finished Wall** for necessary conditions.

△ ! 注意：安裝前，請詳閱下列注意事項。

1. 本產品安裝固定閥體於牆壁內側時，閥體需與牆壁保持平行。
2. 進水管中心與最終完成牆面的距離須保持在最小2"(5cm)到最大3"(7.6cm)之間，或陶瓷中心栓與最終完成牆面保持在最小1.3"(3.8cm)到最大2.3"(6cm)。



INSTALLATION NOTE

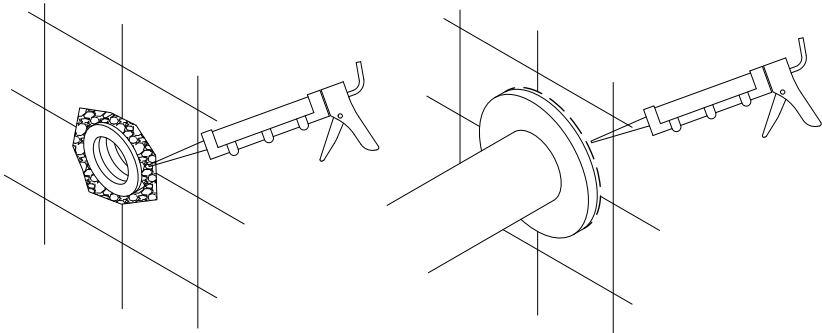
安裝注意事項

⚠ CAUTION : Concealed products need to be waterproof for the gap between the outlet of pipe and opening of wall/floor to prevent water flowing into the gap.

1. Caulk the gap with sealant or silicone.
2. Or seal the edge of decorative faceplate or cover with silicone
3. If the wall/floor is not flat or the gap of tile is big, please help to fill the gap with gap filler or caulking sealant to make decorative faceplate or cover be flat, and then seal the edge of decorative faceplate or cover to be waterproof.

⚠ 注意：壁式產品需在牆壁開孔周圍做好防水，避免水沿著牆壁開孔流入牆壁內側。

1. 在出水管與牆壁之間間隙加入填縫劑或矽利康。
2. 或者用矽利康在牆壁裝飾蓋的周圍做封邊。
3. 若牆壁不平整或磁磚縫隙過大，需用填縫劑將縫隙填平，使面蓋可貼齊牆壁，達到止水效果。



⚠ CAUTION : Prevent the risk of product damage.

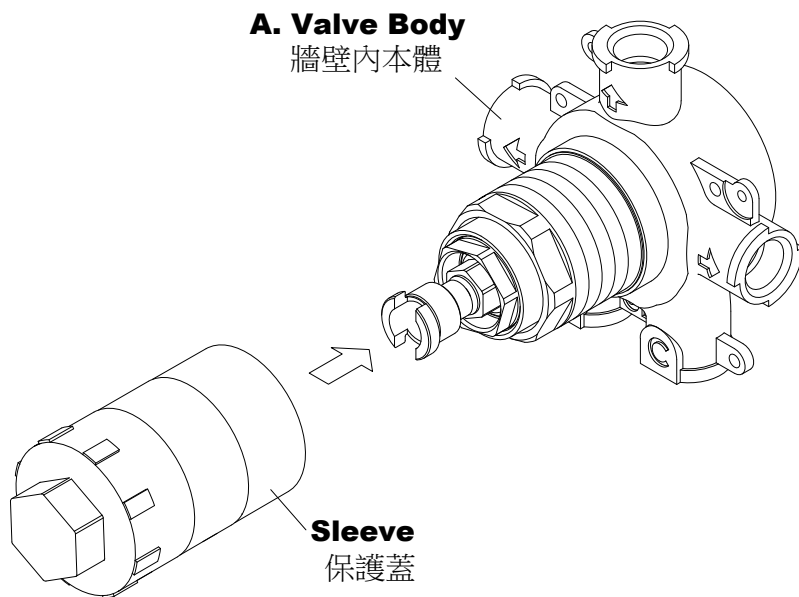
1. When finished installation, turn the valve on and run water for 1 minute to remove any debris before using.

⚠ 注意：為增加產品使用壽命，請依說明清潔供水管路。

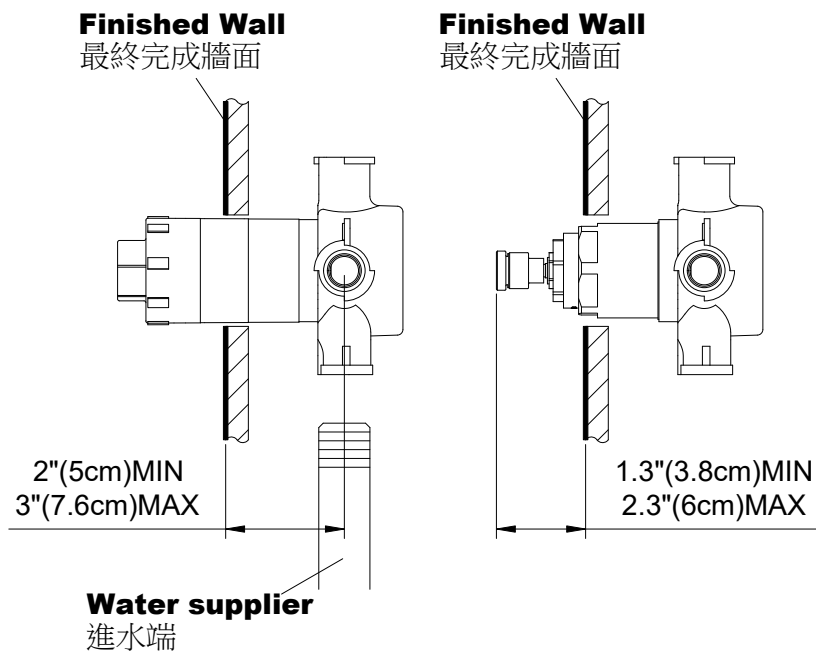
1. 完成安裝後，需在使用前先把供水開關全開排水持續一分鐘，去除雜質，以保持管路清潔。

INSTALLATION INSTRUCTIONS

安裝說明

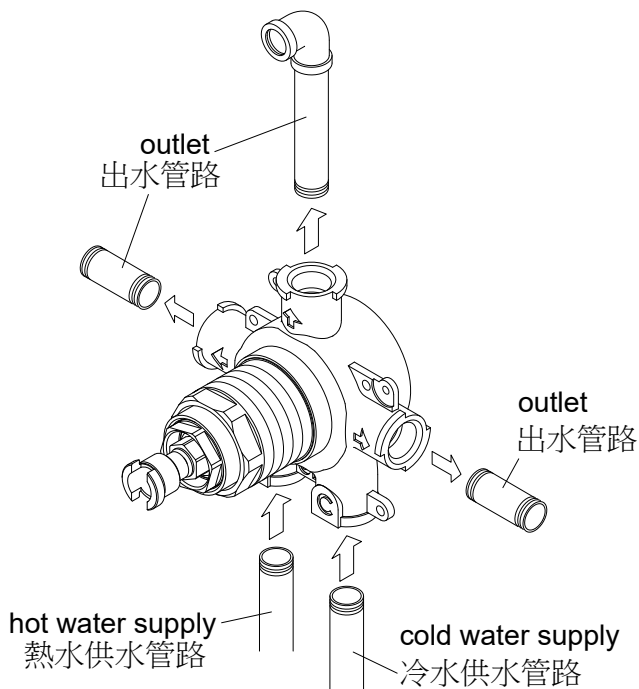


- * Use **Sleeve** to protect the cartridge and thread before installation.
使用套筒保護陶瓷中心栓及螺牙，必須在安裝程序前先套上。



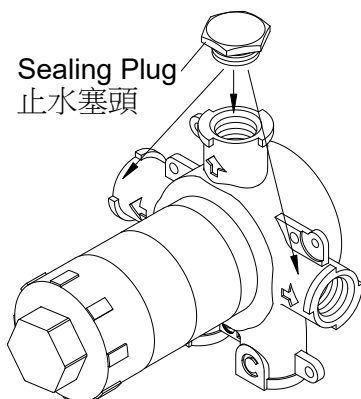
- * Connect hot and cold supplies pipes to the valve body, so they are between 2"(5cm) minimum and 3"(7.6cm) maximum from the finished wall; or keep the distance be 1.3" (3.8cm) to 2.3" (6cm) between top of cartridge and **Finished Wall** for necessary conditions.

安裝牆壁內本體時需預留的牆壁厚度，牆壁內本體與最終完成牆面的距離須保持在最小2"(5cm)到最大3"(7.6cm)之間，或陶瓷中心栓與最終完成牆面保持在最小1.3"(3.8cm)到最大2.3"(6cm)，此為安裝必要條件。



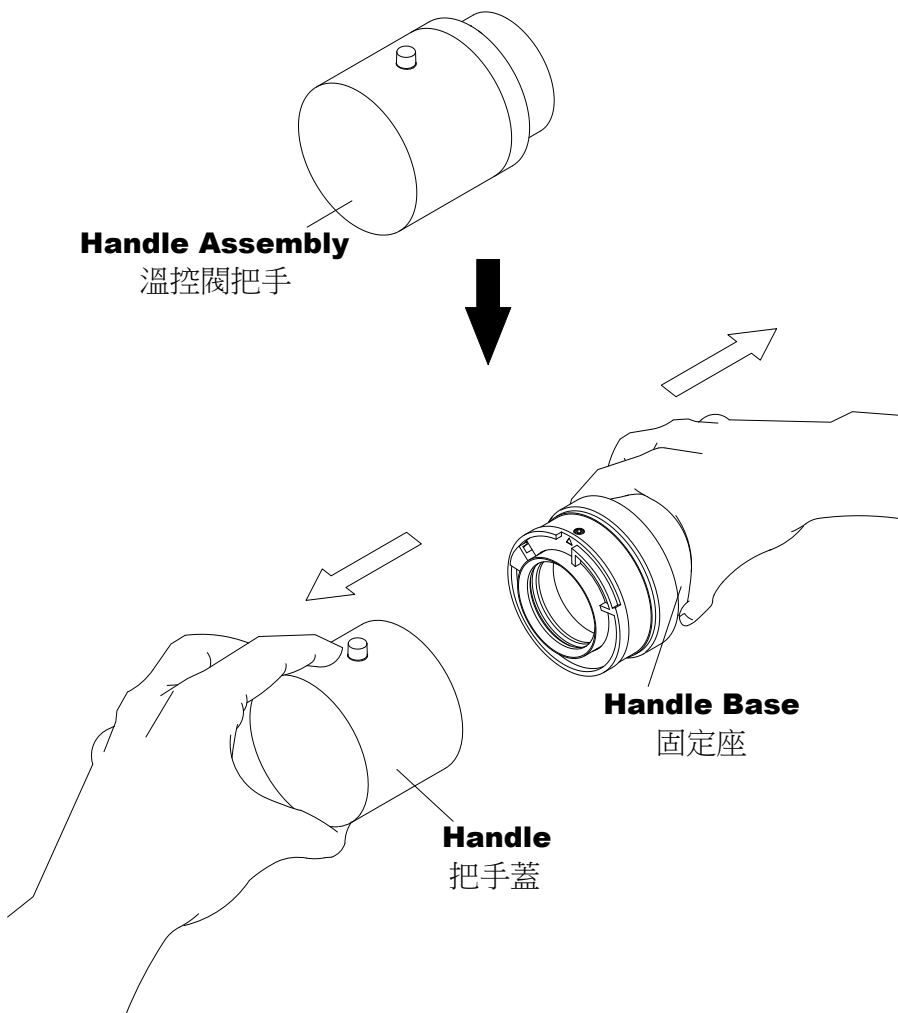
***Install hot and cold water supply and outlets.**

依圖示，安裝冷熱供水管路，與出水管路。



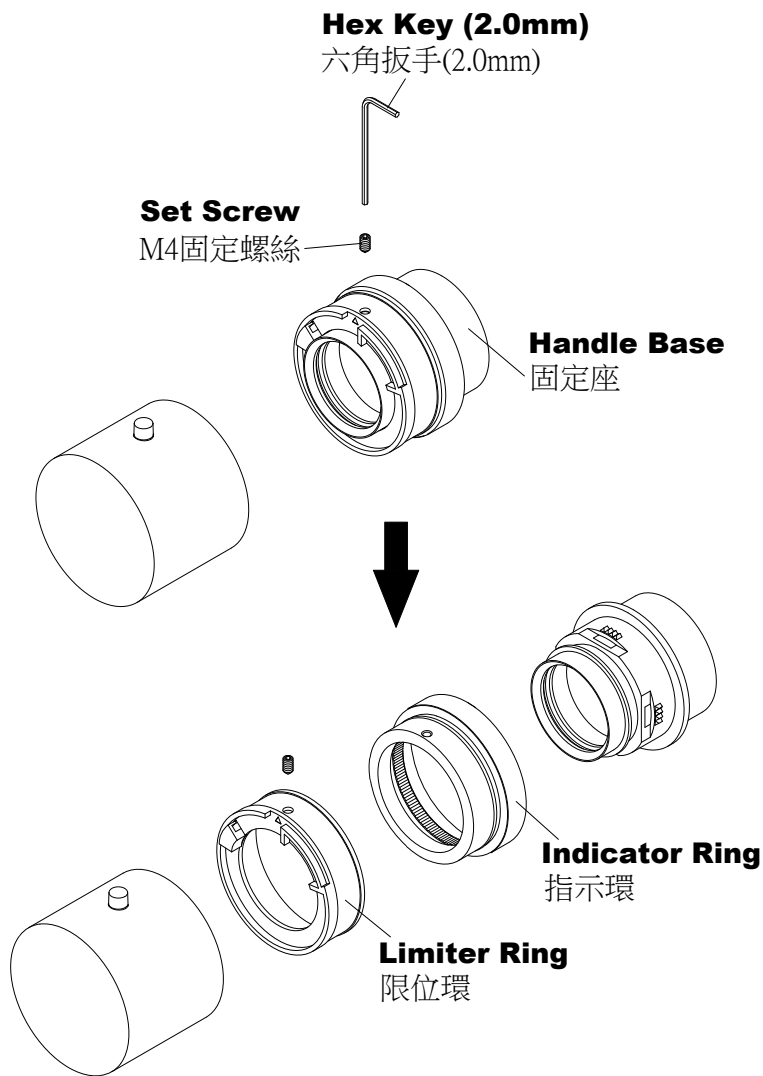
*** The Sealing Plug should be used for unused outlets.**

如有未使用的出水管路，需選配止水塞頭做安裝使用。



*Grab the **Handle Assembly**, and separate the **Handle** and **Handle Base** for next step of installation.

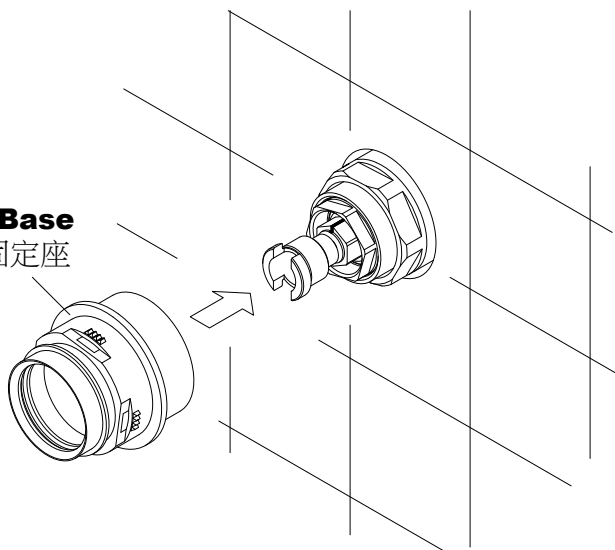
本體安裝完成後，需先將溫控閥把手拆解以利後續安裝。握緊固定座與把手蓋施力拔出，將兩者分離。



*Disassemble the **Set Screw** from **Limiter Ring** by **Hex Key (2.0mm)**, and then separate **Limiter Ring** and **Indicator Ring** from **Handle Base**.

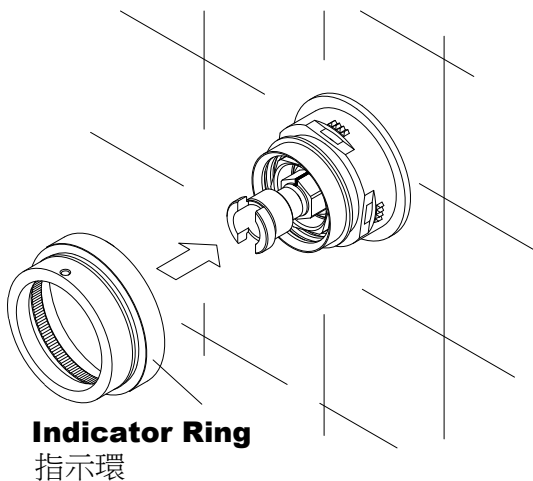
隨後以六角扳手(2.0mm)取出指示環內的M4固定螺絲，才可將限位環、固定座分離，如圖示範。

Handle Base
固定座



*Screw the **Handle Base** to the Valve Body till against the wall. Make sure the screw hole of **Indicator Ring** is facing up, and then press the **Indicator Ring** onto the **Handle Base** to the bottom.

將固定座鎖入牆壁內本體直到與牆壁貼合。將指示環螺絲孔朝正上方再套入固定座並壓緊。



Hex Key (2.0mm)

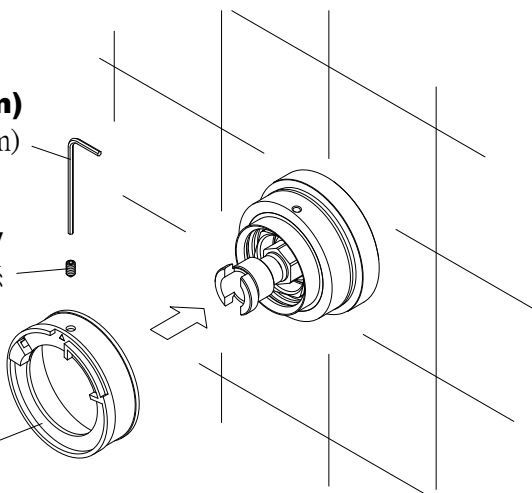
六角扳手(2.0mm)

Set Screw

M4固定螺絲

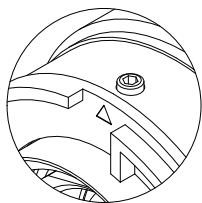
Limiter Ring

限位環



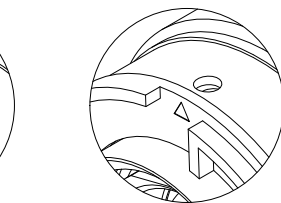
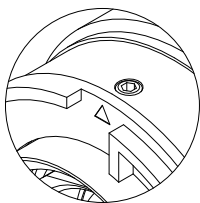
*Cover the **Limiter Ring** onto the **Indicator Ring**, aim the screw holes, fix the **Set Screw** on **Limiter Ring** by **Hex Key (2.0mm)** till the head of **Set Screw** is flush with the surface of **Limiter Ring**.

套入限位環，後對準指示環上的螺絲孔以六角扳手(2.0mm)鎖入M4固定螺絲，固定螺絲鎖入與限位環齊平即可。



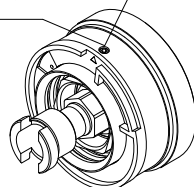
Protruding **Set Screw** will affect the Handle assembling.

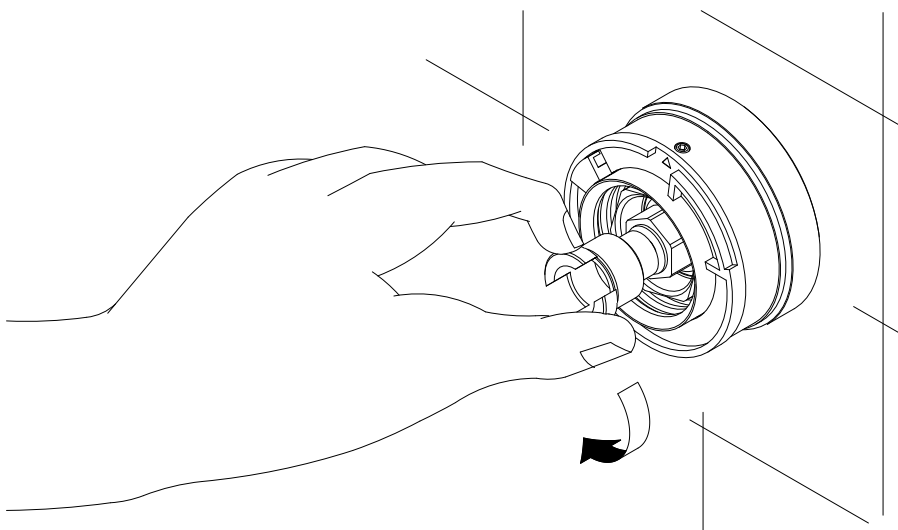
太高把手蓋無法進入



Sinking **Set Screw** could not fix the **Limiter Ring** properly.

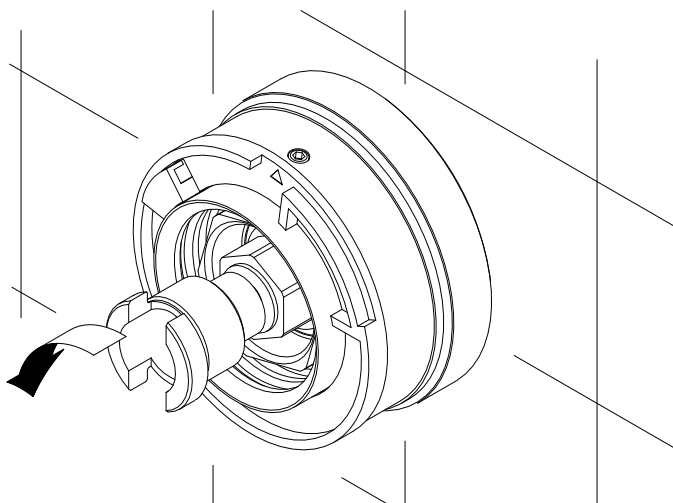
太低止付螺絲無法固定限位環

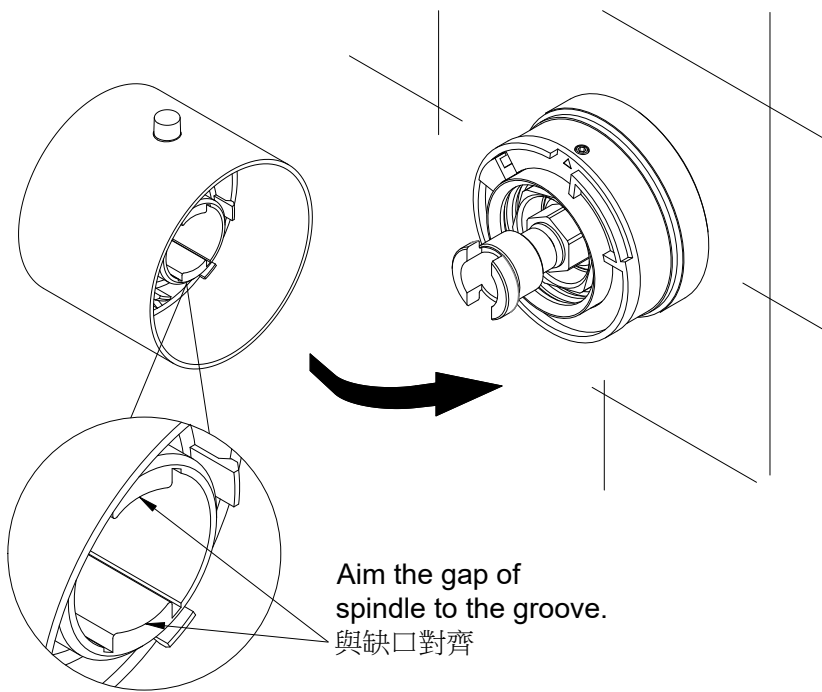




***Clockwise turn the spindle of thermostatic valve to the end, and then turn back a little bit to make the gap of spindle be vertically.**

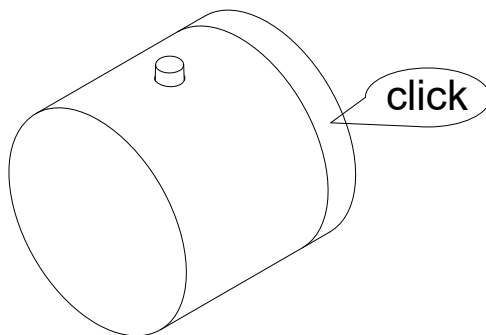
將溫控閥的接頭順時針轉到底後，再逆時針轉動使接頭的缺口呈垂直。





*Aim the gap of spindle to the groove inside the **Handle**, and then press the **Handle** to the **Handle Base** till hears the click sound.

裝入把手蓋之前，請先確認把手內兩凸起與控制閥缺口對齊，再將把手蓋裝入。裝入後施力將把手蓋壓入聽到喀擦聲，完成安裝。



ENSURE WATER TEMPERATURE

(Necessary steps before first use.)

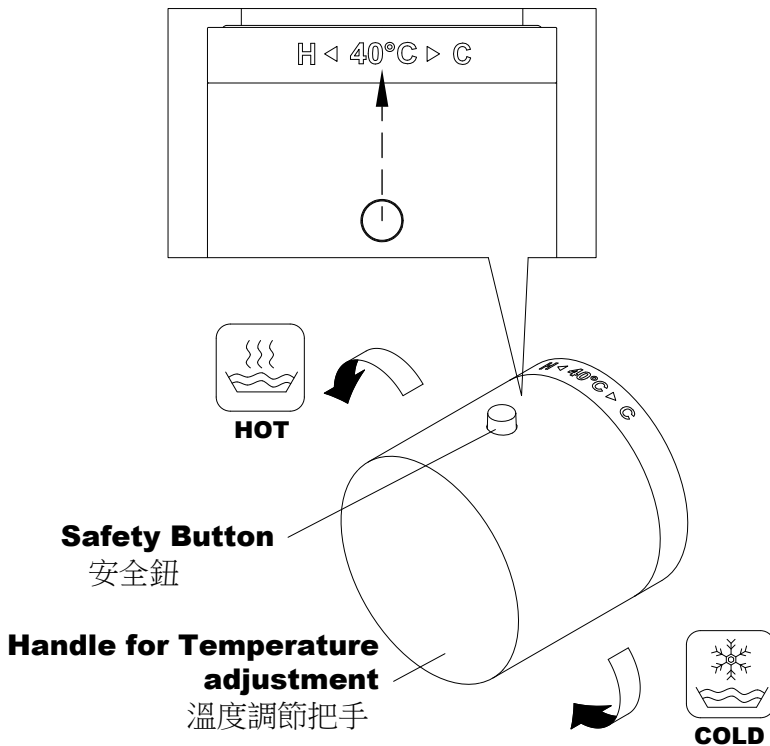
確認出水溫度 (首次使用前務必執行)

⚠ CAUTION: For different conditions (water pressure, hot water temperature), please do adjust water temperature before first use.

1. Point the Safety Button to the 40°C marked position, and divert the water flow way to spout or Hand Shower.

⚠ 注意：因使用條件(冷・熱水水壓、熱水供水溫度)不同，請於首次使用前務必校準恆溫龍頭出水溫度。

1. 將把手上安全鈕對準40°C記號點後，切換出水位置至出水口或手持花灑。

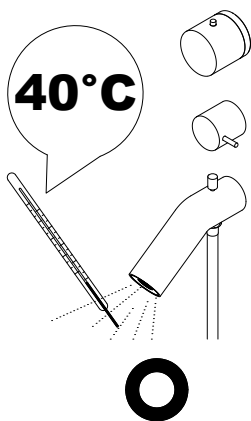


2. Use thermometer to check if the temperature is between $40\pm 2^{\circ}\text{C}$. If water temperature is not between $40\pm 2^{\circ}\text{C}$, please follow the below steps to adjust it.

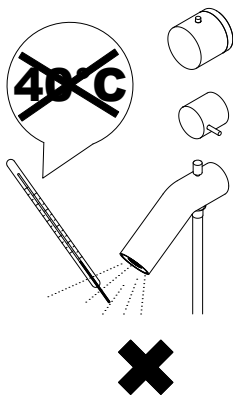
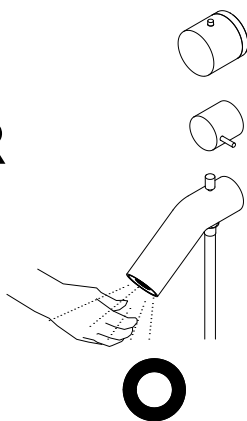
⚠ CAUTION: Regulate the temperature of hot water supply to be higher than expectation, and please notice the maximum temperature of hot water supply is 75°C .

2. 使用溫度計確認出水溫度是否介在 $40\pm 2^{\circ}\text{C}$ 之間或是體感預期溫度。出水口溫度若不符合適溫 $40^{\circ}\text{C}\pm 2^{\circ}\text{C}$ ，請依下頁調整步驟進行微調。

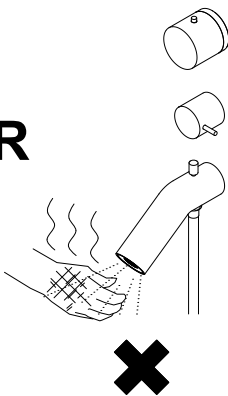
⚠ 注意：將熱水供應溫度調整到比期望出水溫度高。為維護龍頭壽命與安全性，熱水器供水溫度勿超過 75°C 。



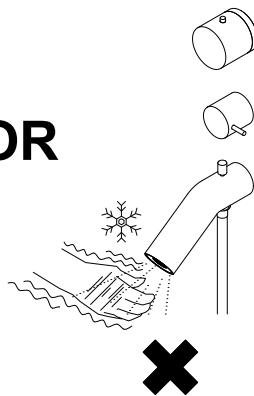
OR

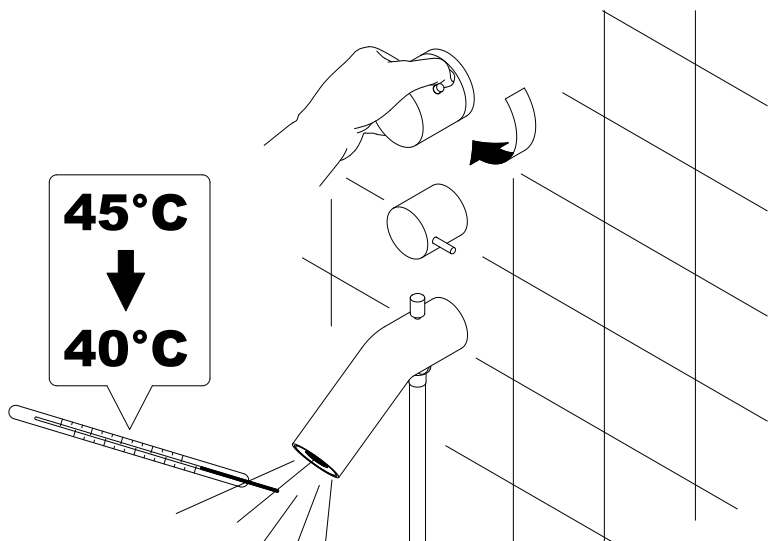


OR

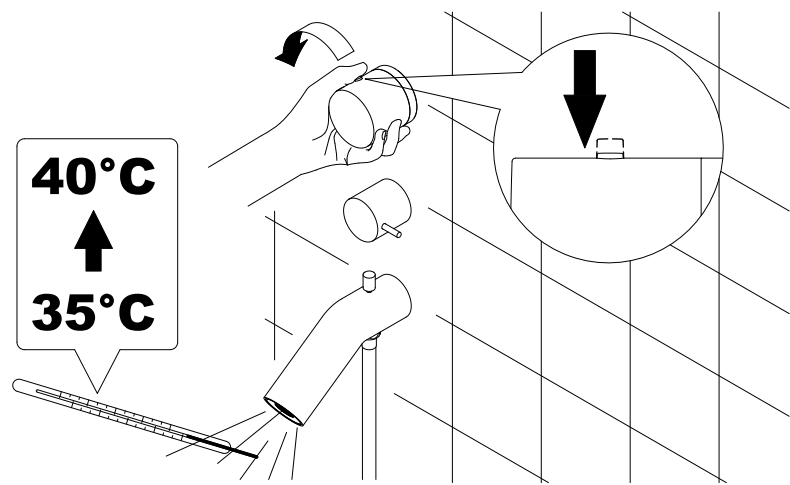


OR

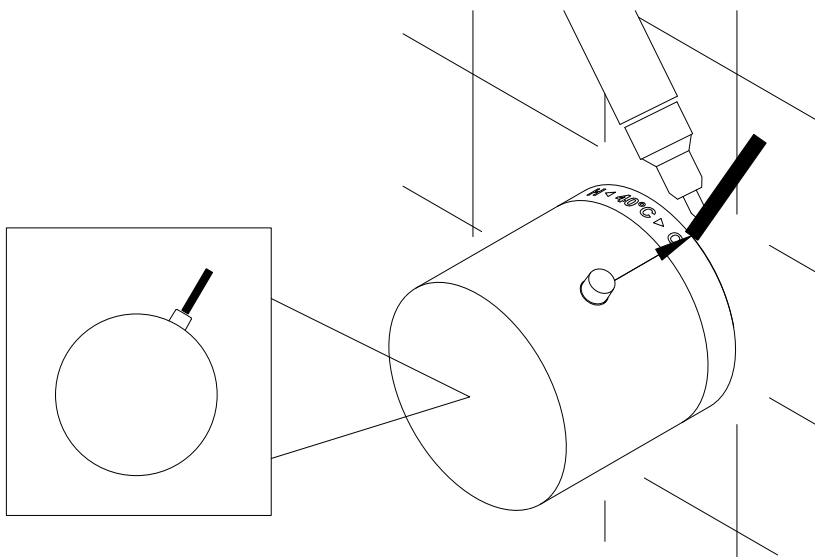




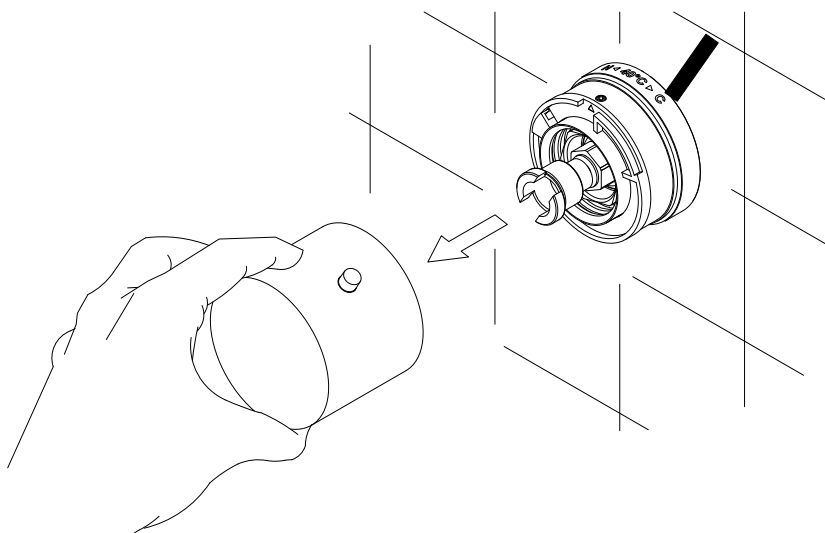
***Adjust the water temperature clockwise if it is higher than 40°C.**
若溫度太高或高過40°C順時針旋轉降低溫度至40°C。



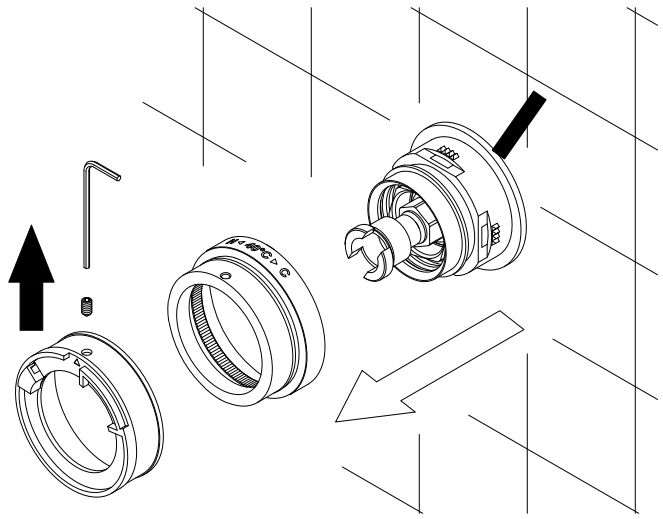
***Press the safety button to adjust the water temperature counterclockwise if it is lower than 40°C.**
若溫度太低或沒有達到40°C，需下壓安全鈕，再逆時針旋轉調高溫度至40°C。



***Mark the new position of safety button by erasable pen.**
將安全鈕的位置以可擦拭的筆畫記號延伸至牆上。

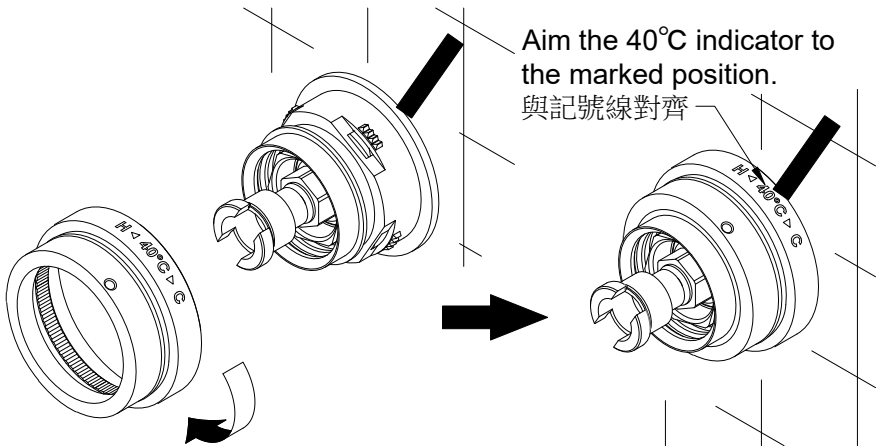


***Remove Handle vertically without rotate the spindle.**
調整到目標溫度後，注意不要旋轉到把手蓋，將把手蓋垂直拔出。



*Disassemble the **Set Screw** to remove the **Limiter Ring** and **Indicator Ring**.

鬆開限位環固定螺絲，將限位環、指示環拔下。



Aim the 40°C indicator to the marked position.

與記號線對齊

*Aim the 40°C indicator to the marked position and press the **Indicator Ring** to the **Handle Base**, and refer to the installation steps in Page 13 to 15 to complete the assembling.

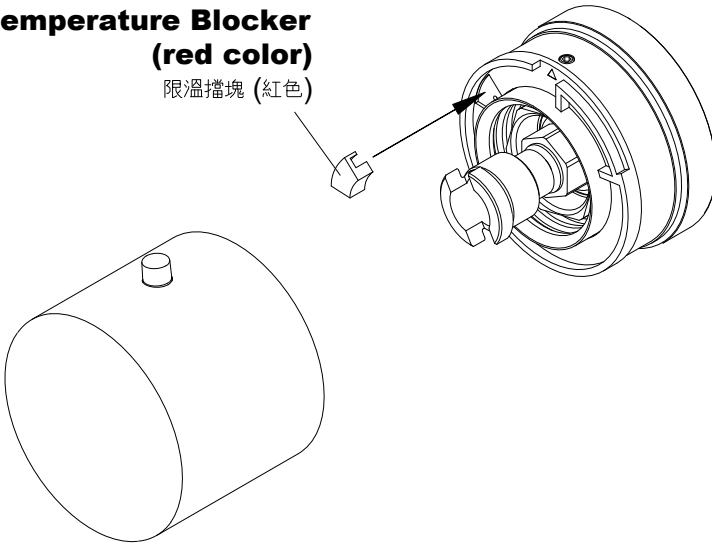
將40°C對齊牆上的記號線後套入固定座，後續組裝步驟參考 P.13~P.15即可完成組裝。

Limit the highest water temperature

出水最高溫度限制

Temperature Blocker (red color)

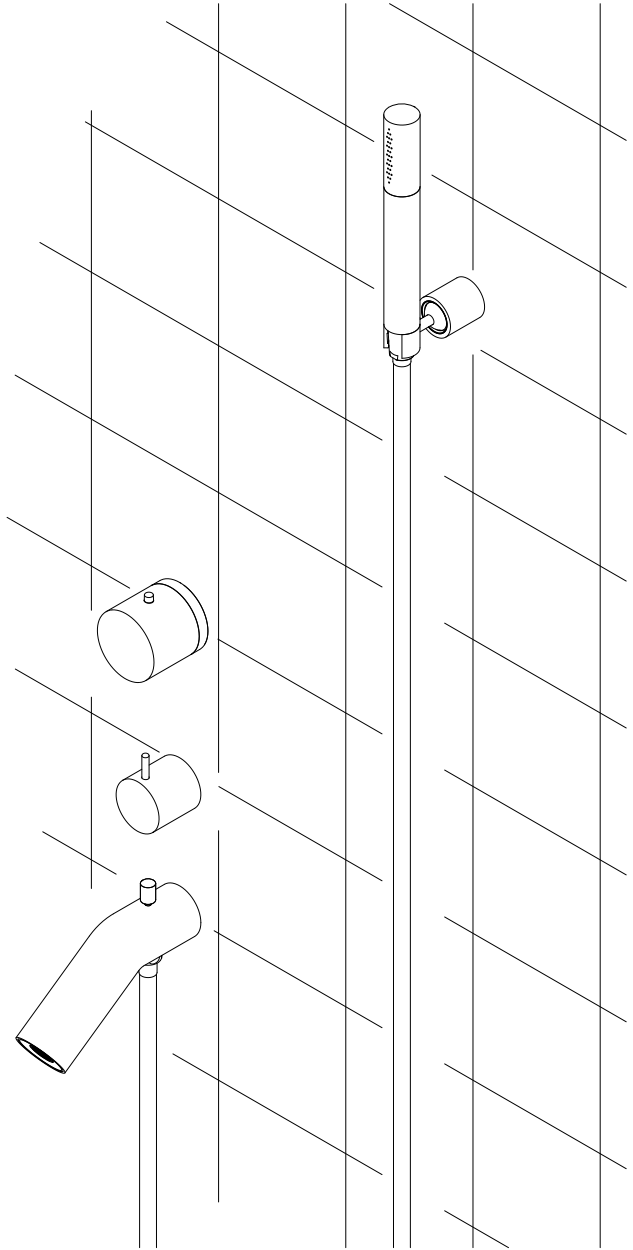
限溫擋塊 (紅色)



There is a Temperature Blocker (red color) limits the highest temperature for avoiding the accidental scald. And the Temperature Blocker (red color) could be removed for getting the higher water temperature if necessary.

溫控端設有限溫紅色擋塊(A)，限制出水最高溫，避免孩童誤轉時遭熱水燙傷，如果需要更高溫的熱水，只須將紅色擋塊卸除即可。

* Example
實施例



WARRANTY

Sheng Tai Brassware Co., Ltd. offer a one-year warranty on all of the Sensor Faucets from date of purchasing. The warranty covers any defect in material and workmanship during normal residential use. The following conditions of defect are charged for maintaining.

- Damage caused by accident, misuse, improper care and cleaning.
- Improper using or installation.
- Defects because of the external factors, such as erodent environment (ex. Seashore or mineral spring.), animal bites or dead bug remains in product etc.
- Defect because of sand or impurity stuck in faucet water way.
- Using water not adhered to the regulations of national standard.
- Deficiency caused by freeze.
- Not showing this warranty card.
- Not filling out in the blank of name of customer, date of purchase, cost of purchase, company of installation (retail store) and stamp on warranty card.
- Sheng Tai Brassware Co., Ltd. is not responsible for labor charges, installation, or other incidental or consequential costs.

勝泰衛材股份有限公司提供所有的感應式龍頭，從購買之日起一年保固。保固範圍包括在一般住宅正常使用的期間，發現產品有任何材質和加工上的瑕疵。如瑕疵有下列情形，將收取維修費用。

- 因意外事故、不當操作使用，不當的保養維護和清洗所造成的損害。
- 不當使用或安裝。
- 外在因素造成產品的瑕疵，如易造成侵蝕的環境（如濱海或溫泉地區）、動物嚙咬或屍體存在於產品內造成的損壞。
- 因砂子或雜質卡住水龍頭水路造成的損壞。
- 沒有依循國家標準的規定使用水源造成的損壞。
- 因冰凍造成的水量不足。
- 未出示此保固卡。
- 未在空白處填寫客戶名稱，購買日期，購買成本，安裝公司（零售商店），及保證卡上未蓋章。
- 勝泰衛材股份有限公司不負責工人費用，安裝，或其他附帶或間接產生的費用。

Customer	Name		Tel	
	Address			
Product	Serial No.		Name	
	Warranty	One year from date of purchase.		
Purchase place	Store		Tel	
	Address			
Purchase Date				
Purchase Price				

JUSTIME
www.justime.com

SHENG TAI BRASSWARE CO., LTD.

No.99 Sec.3 Chang Tsao Rd. Ho Me, Chang Hua, Taiwan

508 台灣彰化縣和美鎮彰草路3段99號

TEL: +886-4-7629971~4

FAX: +886-4-7526980

E-mail: shengtai@ms10.hinet.net

Facebook: www.facebook.com/JUSTIME