

Sensor Basin Faucet (Cold Only) 6777-S7-80MA

INTRODUCTION:

Seed is the origin of all plants, but not all seeds are lucky to sprout and grow up. So each budding seed is a symbol of hope and happiness. Spout of "Lucky 7" is like a growing stalk to demonstrate various styles as creative ideas of designers; spout of ceiling-mounted sensor faucet looks like a hanging vine from the roof.

Succinct pillared shape design with simplified lines of spout presents complete figure to be brief and elegant, and it fulfills the concept of "water coming from the sky" which only rain could do by combining with infrared sensor technology.

DESCRIPTION:

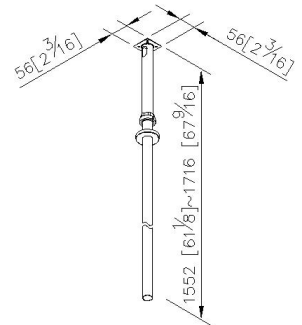
1. Infrared Sensor Automatic Detection.
2. Safety Guard: Valve turns off automatically if water keeps flowing over 60sec.
3. Battery request: 4 pcs of DC1.5V AA Alkaline battery.
4. Life cycle test: about 300,000 times lifespan with alkaline battery, and about 100,000 times lifespan with carbon-zinc battery.
5. Sensing time: within 0.5~1.0 second.
6. Low power alarm: Red indicator light will be flashing for battery replacement.
7. The faucet valve can bear the water pressure from 0.5 to 6 Kgf/cm².
8. Stainless steel braided hose with SANTOPRENE tube (meets NSF approval), can bear 15Kgf/cm² water pressure and 120°C heat.
9. Finish: Powder coating matt black.

Certification:

Fixing Kits:

- 1. SUS 304 Stainless Steel Screws*1
- Hex Key 2.0mm*1
- Set Screw*2
- Clip*1

AWARD:



unit: mm[inch]