

INSTALLATION INSTRUCTIONS

Ceiling-Mounted Basin Spout

檯面龍頭安裝說明

Applicable Product Number:

適用產品型號:



6777-C7-80MA

CARE & CLEANING

清潔與保養

CAUTION : This product might be damaged by improper installation, acid cleaning solution, misuse, improper care and cleaning.

1. Always follow the INSTALLATION INSTRUCTIONS provided and use extreme care while installing.
2. Do not use acid cleaning solution or abrasive cleaner (Ex: Hydrochloric acid or toothpaste); test your cleaning solution on an inconspicuous area before applying to the entire surface.
3. Wipe surfaces clean and rinse completely with water immediately after applying cleaner. Do not soak with cleaners. Rinse and dry any overspray that lands on nearby surfaces.
4. Use a dampened sponge or cloth to clean surface. (Do not use abrasive material such as brush or scouring pad.)

注意：此產品有可能因為不當安裝，誤用酸性清潔劑或清潔方式不正確而造成產品受損。

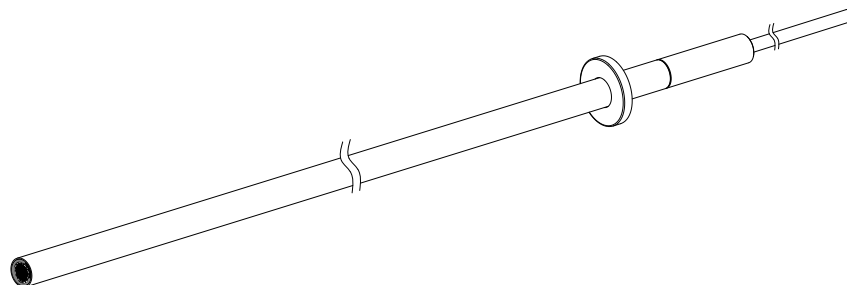
1. 產品安裝時必須依照產品所附的安裝說明和操作方式安裝。
2. 不可使用含有酸性或具研磨效果的清潔劑清洗（例如：鹽酸、牙膏），請先在產品較不顯眼的地方測試您的清潔方法，然後再應用到整個表面。
3. 產品塗佈清潔劑後，應立即擦拭除污，用清水沖洗，並擦乾產品和檯面。切勿讓清潔劑在產品表面浸濕潤漬過久。
4. 請使用濕海綿或乾淨棉布擦拭產品表面。（不可使用會刮傷或具研磨材質的刷子及鋼刷）。

FIXING CONTENTS

組配件內容

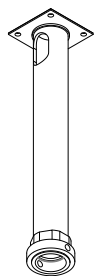
A. Spout * 1

出水口



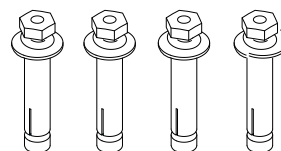
B. Fixing Bracket * 1

固定座



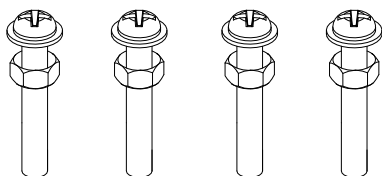
C. Sleeve Anchor Bolt * 4

膨脹螺絲



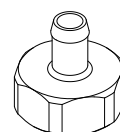
D. Fixing Kits * 4

螺絲螺帽組



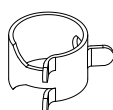
E. Connector * 1 (with Gasket)

出水接頭(含墊片)



F. Clip * 1

管束



INSTALLATION NOTIFICATION

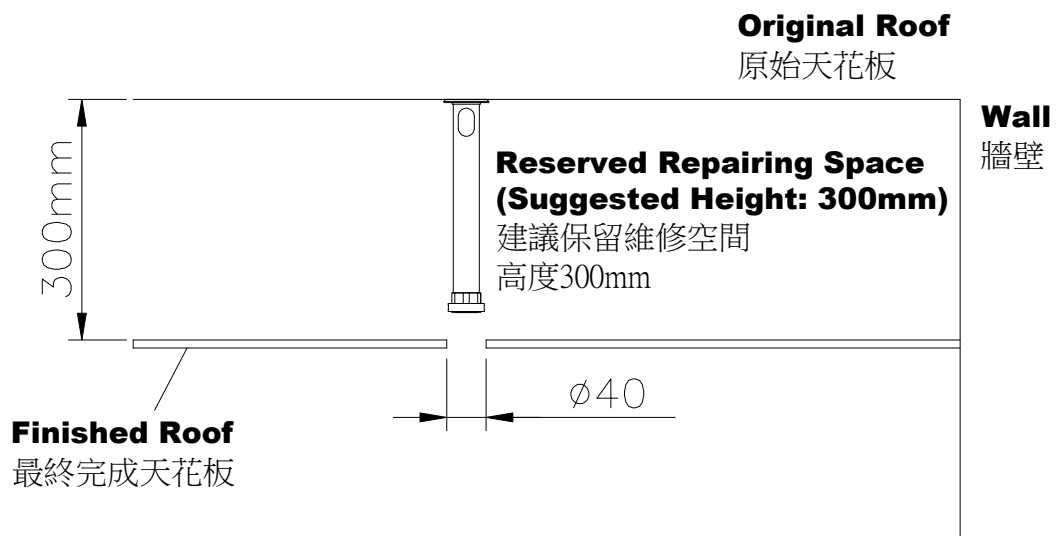
安裝注意事項

⚠ CAUTION : Please read the following points carefully before Installation.

1. Please help to protect the hose in the repairing space during construction for avoiding accidental damage resulting in water leakage.
2. Please leave the 40mm hole on the Finished Roof for next installing steps.

⚠ 注意：安裝前，請詳閱下列注意事項。

1. 天花板上方的維修空間，有出水軟管，請在工程施作的過程中，保護好出水軟管，避免誤傷管線，造成漏水。
2. 天花板施工時，在正下方預留40mm的孔洞，以利後續安裝。



⚠ CAUTION : Prevent the risk of product damage.

1. When finished installation, turn the valve on and run water for 1 minute to remove any debris before using.

⚠ 注意：為增加產品使用壽命，請依說明清潔供水管路。

1. 完成安裝後，需在使用前先把供水開關全開排水持續一分鐘，去除雜質，以保持管路清潔。

Inside Pipe Arrangement

管路示意圖

NOTICE

Before purchasing, please specifically discuss with the supplier about the installing surroundings and situations to make sure if the product is available for your space. Suggested height of Spout can be 100~200mm higher than basin.

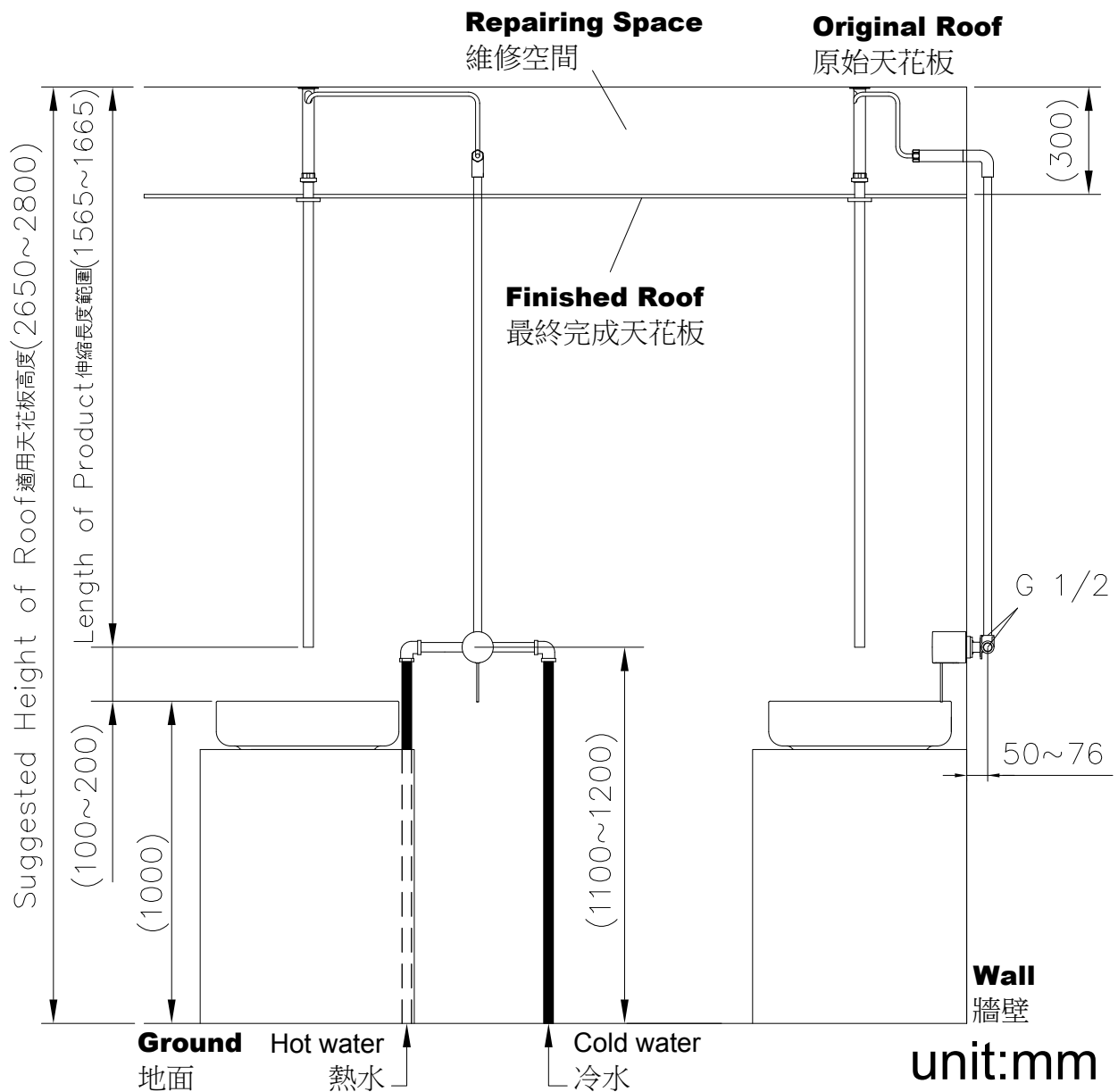
Size in the parentheses is only for reference, please help to adjust the height to suit for each situation.

※注意

由於使用環境的不同，購買前，請與JUSTIME經銷商討論，選擇適合的商品長度。

出水口高度，建議以臉盆高度再加100~200mm。

()內之尺寸請依使用者之使用高度做調整，以下尺寸僅供參考。



INSTALLATION INSTRUCTIONS

安裝說明

Install Fixing Bracket

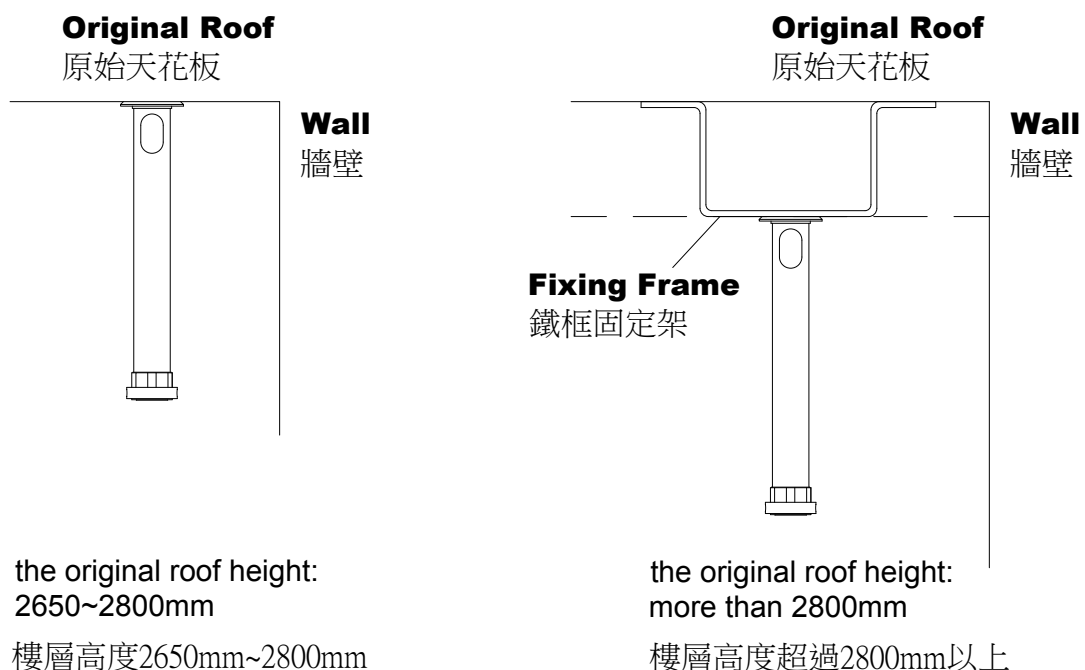
安裝固定管件

* If the height of original roof is between 2650mm and 2800mm, please refer to the installation steps on page 6 to 7 for Fixing Bracket.

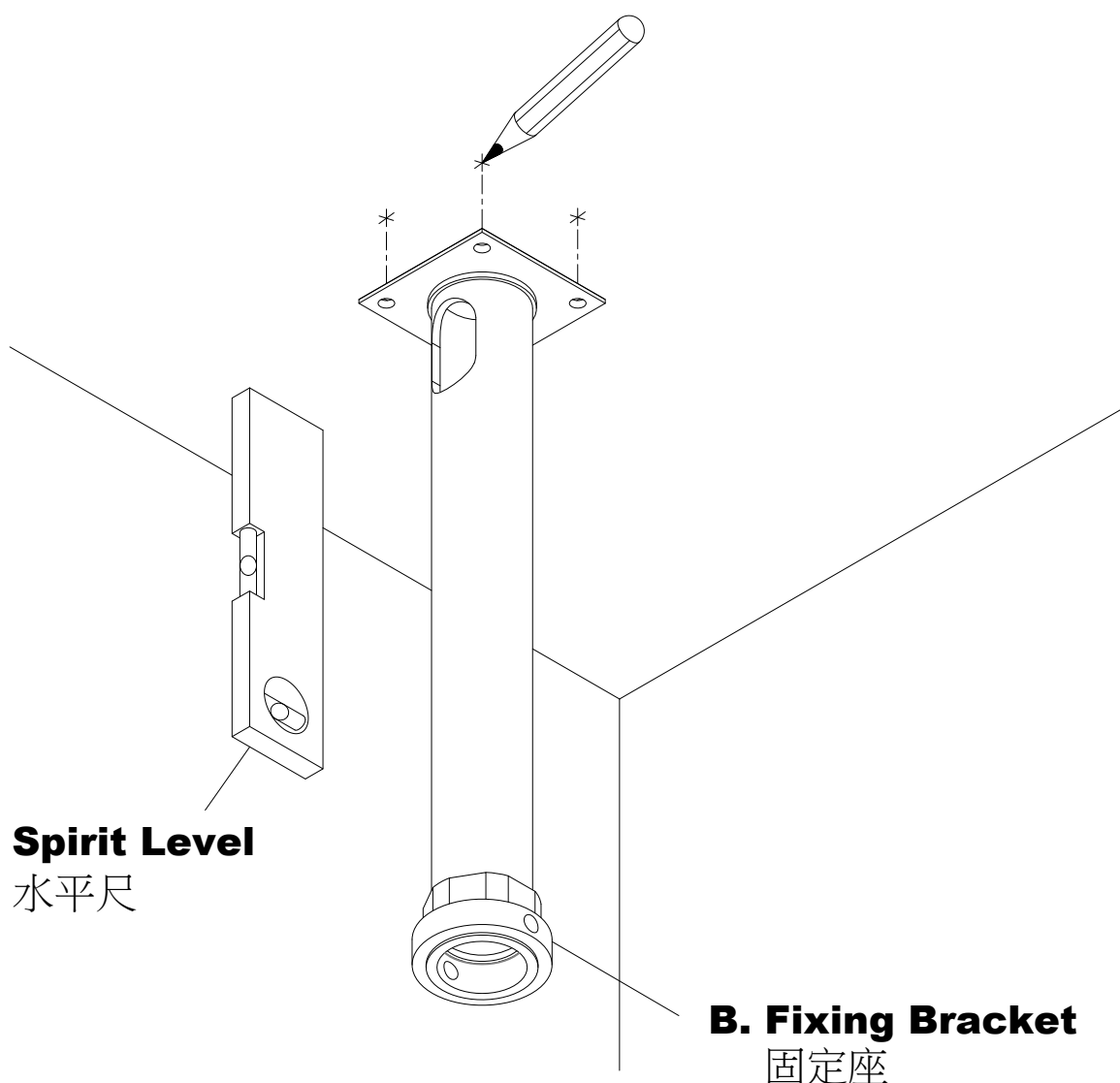
If the height of original roof is higher than 2800mm, we suggest making a fixing frame according to the exact installing requests for replenishing the height of installation, and please refer to the installation steps on page 8 to 10 for fixing frame and Fixing Bracket.

若樓層高度為2650mm~2800mm時，天花板固定管件安裝方式，頁數請參考P 06~P 07。

若樓層高度超過2800mm以上時，建議另行製作鐵框固定架，並依照自家天花板情況設定鐵框相關尺寸，將不足的高度填充起來以利後續管件組裝，頁數請參考P 08~P 10。

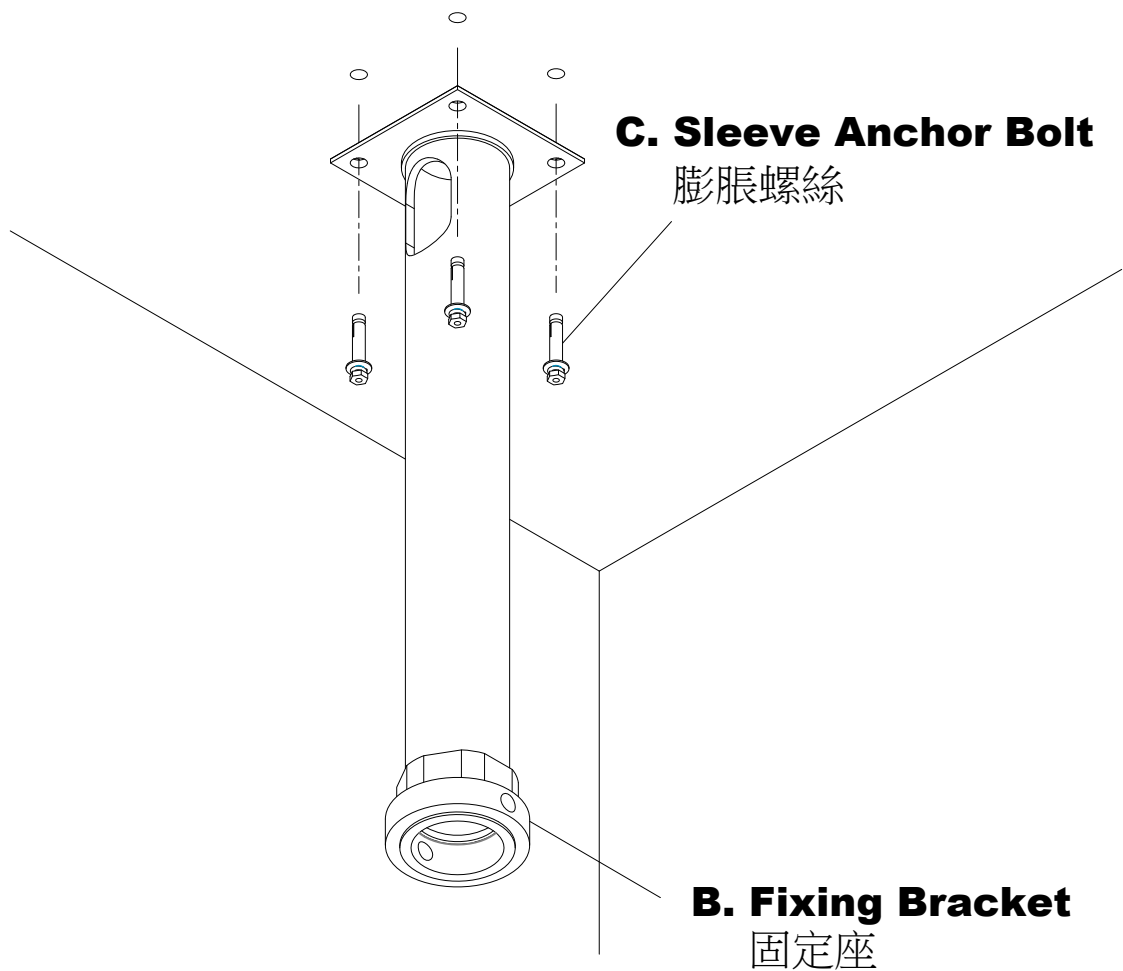


*Available installation steps for the original roof height: 2650~2800mm
本頁適用於樓層高度為2650~2800mm



* Select proper position for product, ensure the verticality with Spirit Level, mark centers of drilling holes on the original roof with the **Fixing Bracket**, and make sure the drill holes are on the same horizontal line.

選取預定安裝的位置，先以水平尺確認垂直無誤，以固定座比對確認鑽孔距離，選取預定安裝的位置後，並在天花板上畫上預定鑽孔記號，並且確認鑽孔的位置是在同一水平線上。



* Use 8mm drill-bit, drill in marked positions to 4cm depth, and then fix the **Fixing Bracket** on the original roof with **Sleeve Anchor Bolts**.

使用8mm鑽頭,鑽孔深度4公分,並使用膨脹螺絲將固定管件緊固於天花板。

* Available installation steps for the original roof height: more than 2800mm

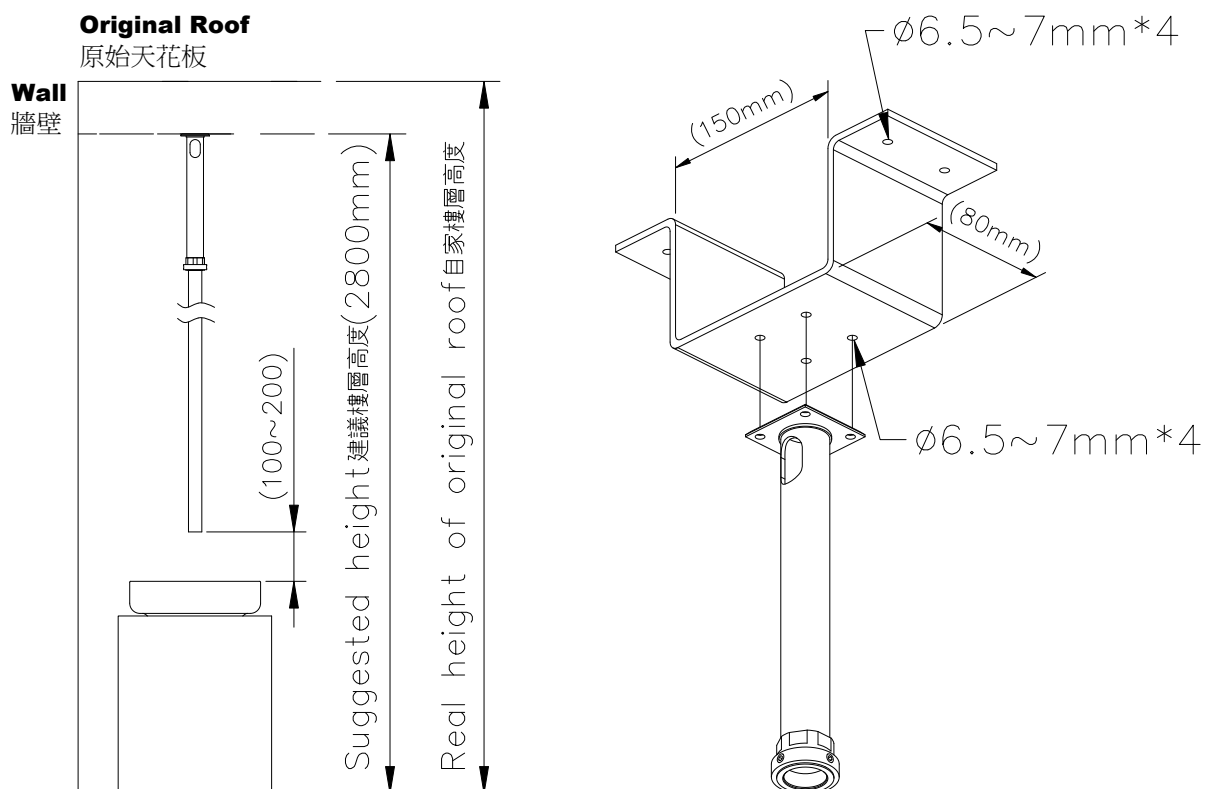
Please make a fixing frame according to the real installing situation and necessary repairing space. The suggested width of fixing frame is 80mm, and the length of open side also suggested being 150 mm. Size in the parentheses is only for reference, please help to adjust them to suit for different situations.

* Height of frame=Real height of original roof-suggested height 2800mm

本頁適用於樓層高度為2800mm以上:

請依照自家天花板高度設定鐵框高度來製作鐵框固定架，並且需預留固定管件之安裝位置以及工具鎖固空間，因此製作鐵框前建議寬度為80mm，鐵框開口建議長度150mm；另外()內之尺寸請依使用者之使用環境做調整，以下尺寸僅供參考。

鐵框高度=自家樓層總高度 - 建議樓層高度2800mm



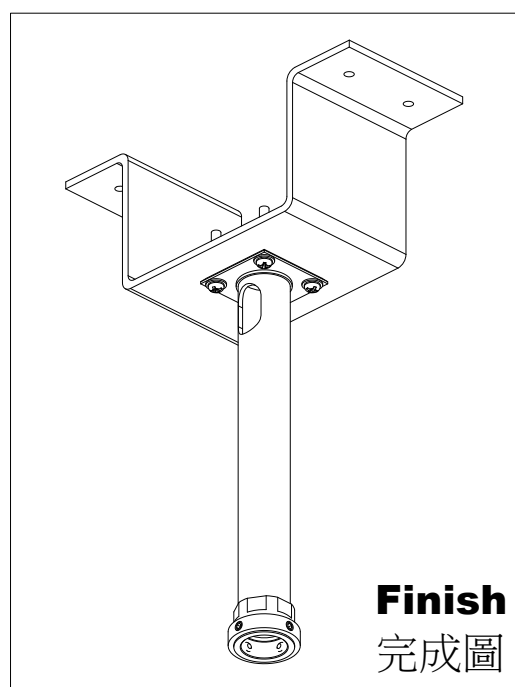
* Please use the **Fixing Bracket** as reference to mark the drilling positions, and drill the frame with 6.5~7mm drill-bit.

請以固定座比對確認鑽孔距離，確認鑽孔距離後，使用6.5~7mm鑽頭進行鑽孔貫穿鐵板。

Fixing Frame
鐵框固定架

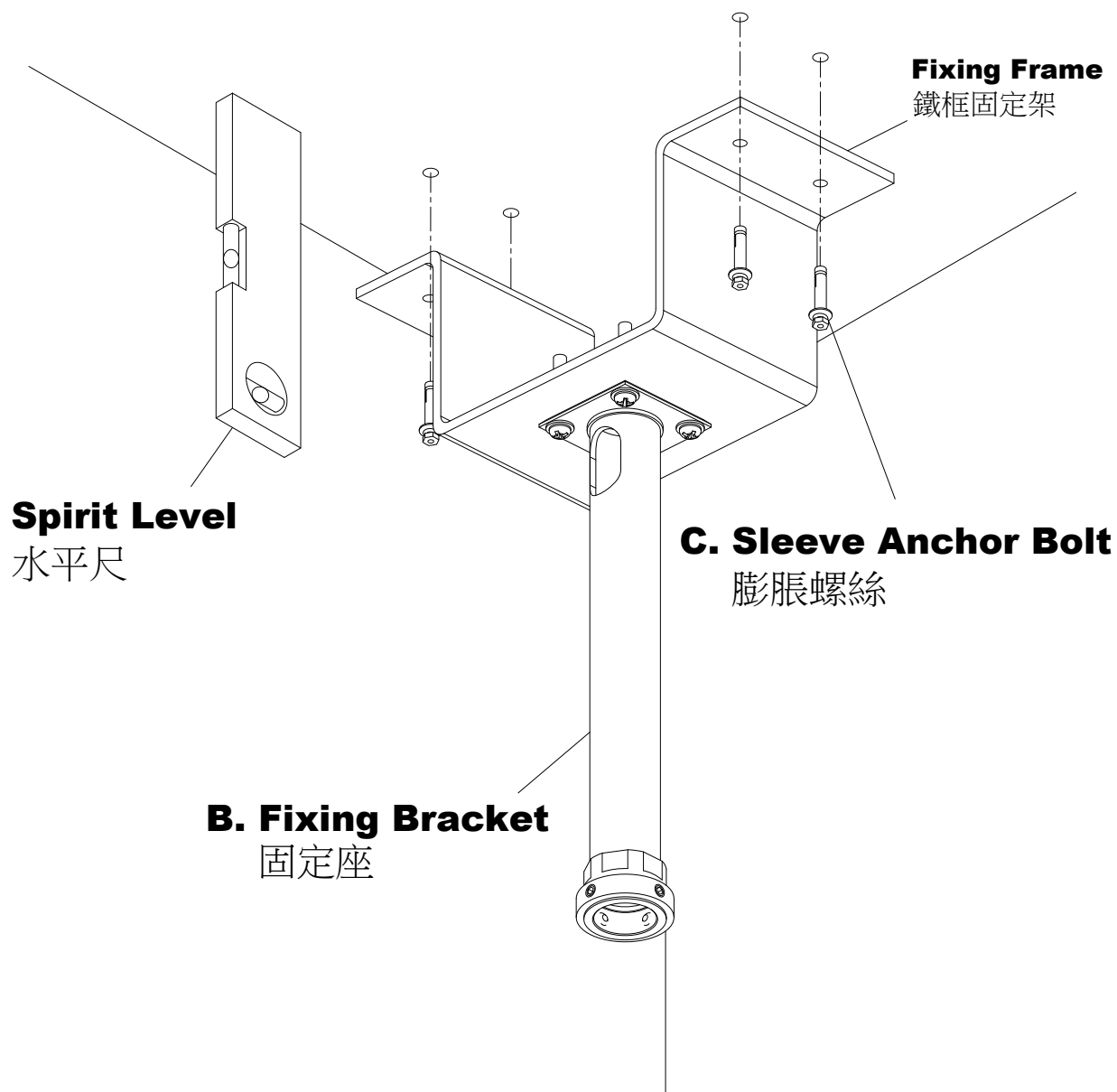
D. Fixing Kits
螺絲螺帽組

B. Fixing Bracket
固定座



* Fix the **Fixing Bracket** on the Frame tightly with **Fixing Kits** before installing the frame on the original roof.

使用螺絲螺帽組將固定管件緊固於鐵框上，以利後續安裝於天花板。

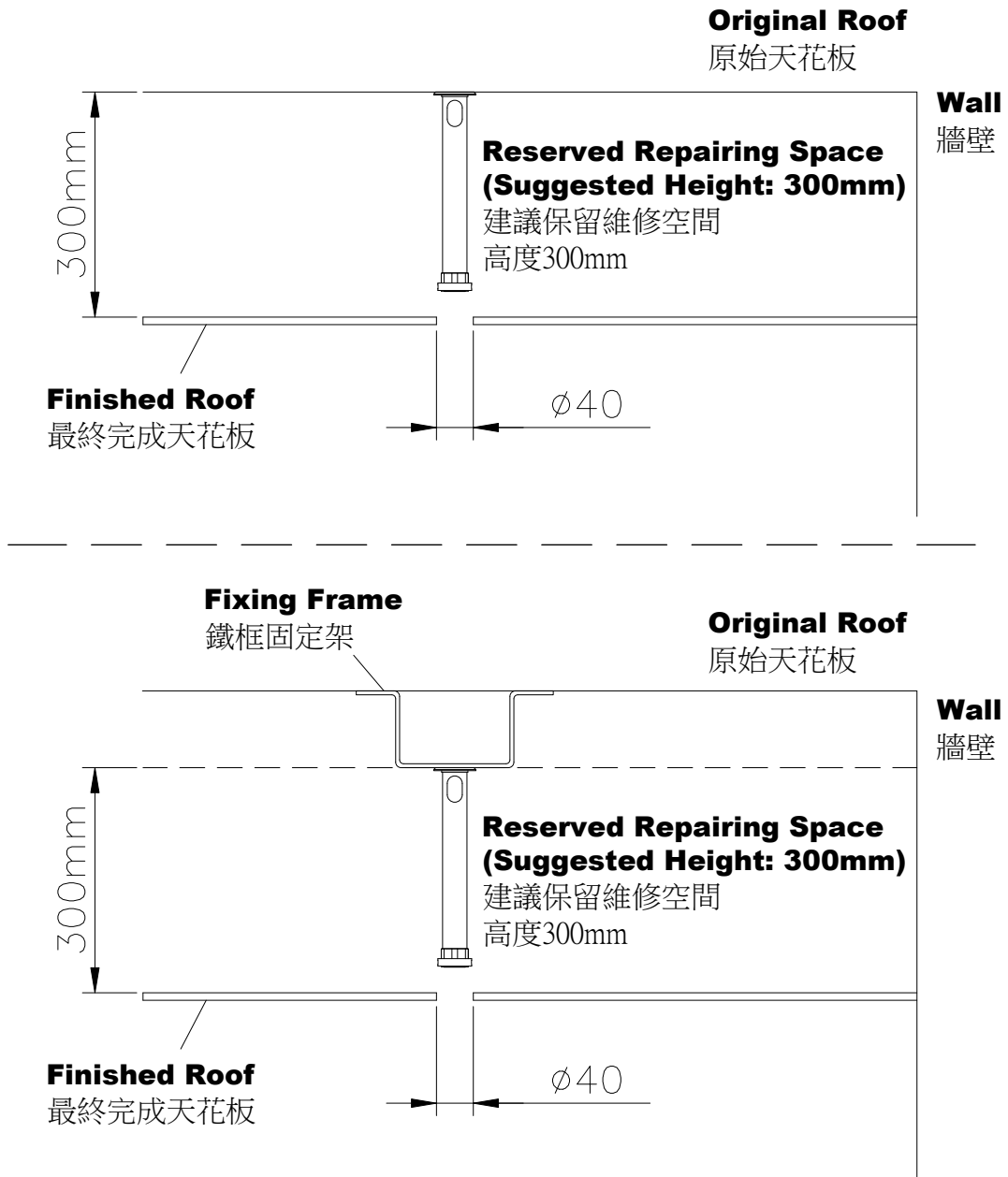


- * Select proper position for Fixing Frame Assembly, ensure the verticality with Spirit Level, use the Fixing Frame as reference to mark centers of drilling holes on the original roof, and make sure the drill holes are on the same horizontal line. Use 8mm drill-bit, drill in marked positions to 4cm depth, and then fix the Fixing Frame Assembly on the original roof with **Sleeve Anchor Bolts**.

請先將組合好的鐵框固定架比對選取預定安裝的位置，並在天花板上畫上預定鑽孔記號，並且先確認鑽孔的位置是在同一水平線上後，使用8mm鑽頭，鑽孔深度4公分，並使用膨脹螺絲將與固定管件組合好的鐵框固定架緊固於天花板。

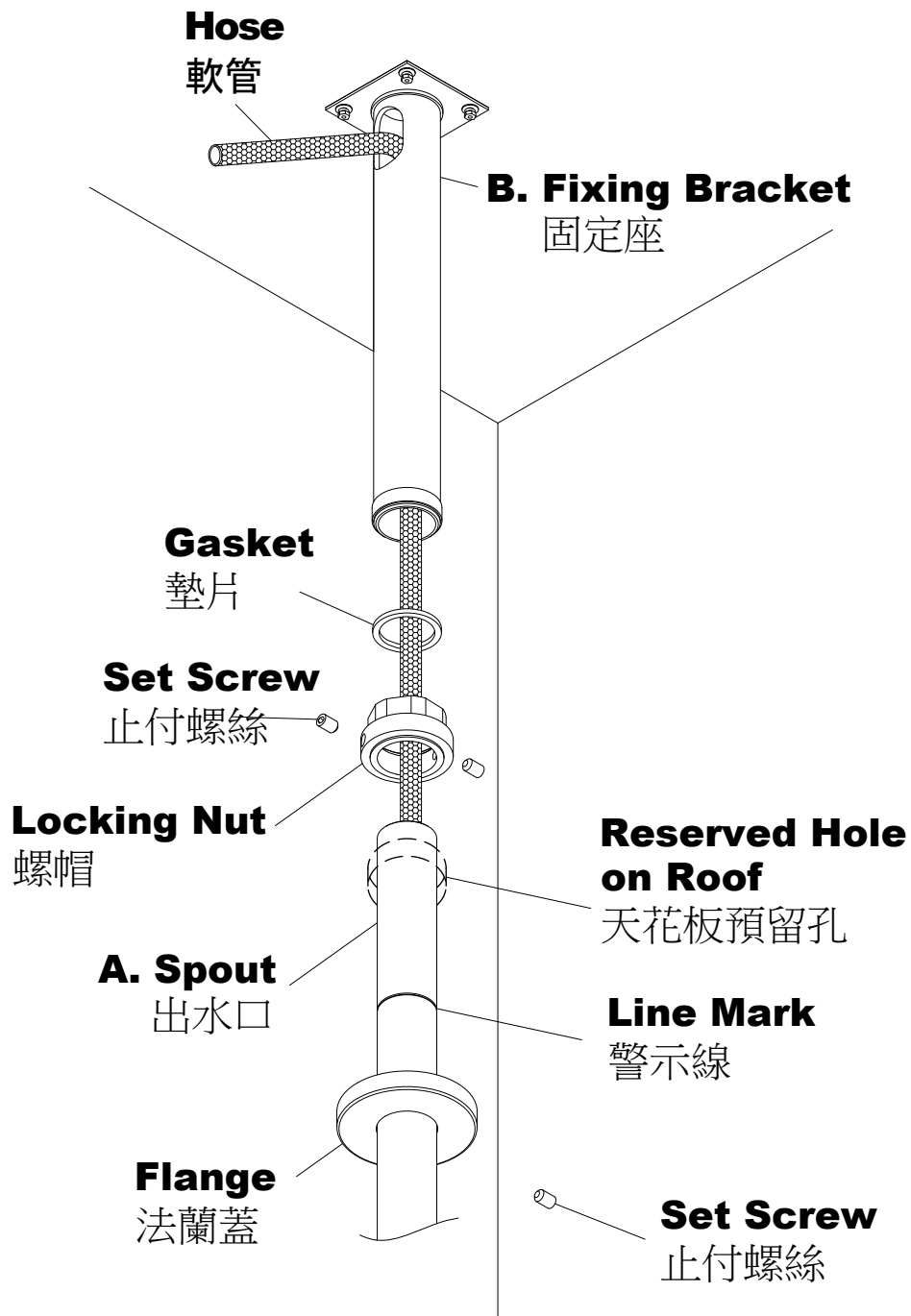
*Please keep the repairing space no matter using the fixing frame or not, and the suggested height of repairing space should be 300mm (exclusive the fixing frame).

不管有無增加鐵框固定架，必須都要保留一定的維修空間，以利後續方便維修，建議維修空間高度300mm(不含鐵框固定架)。



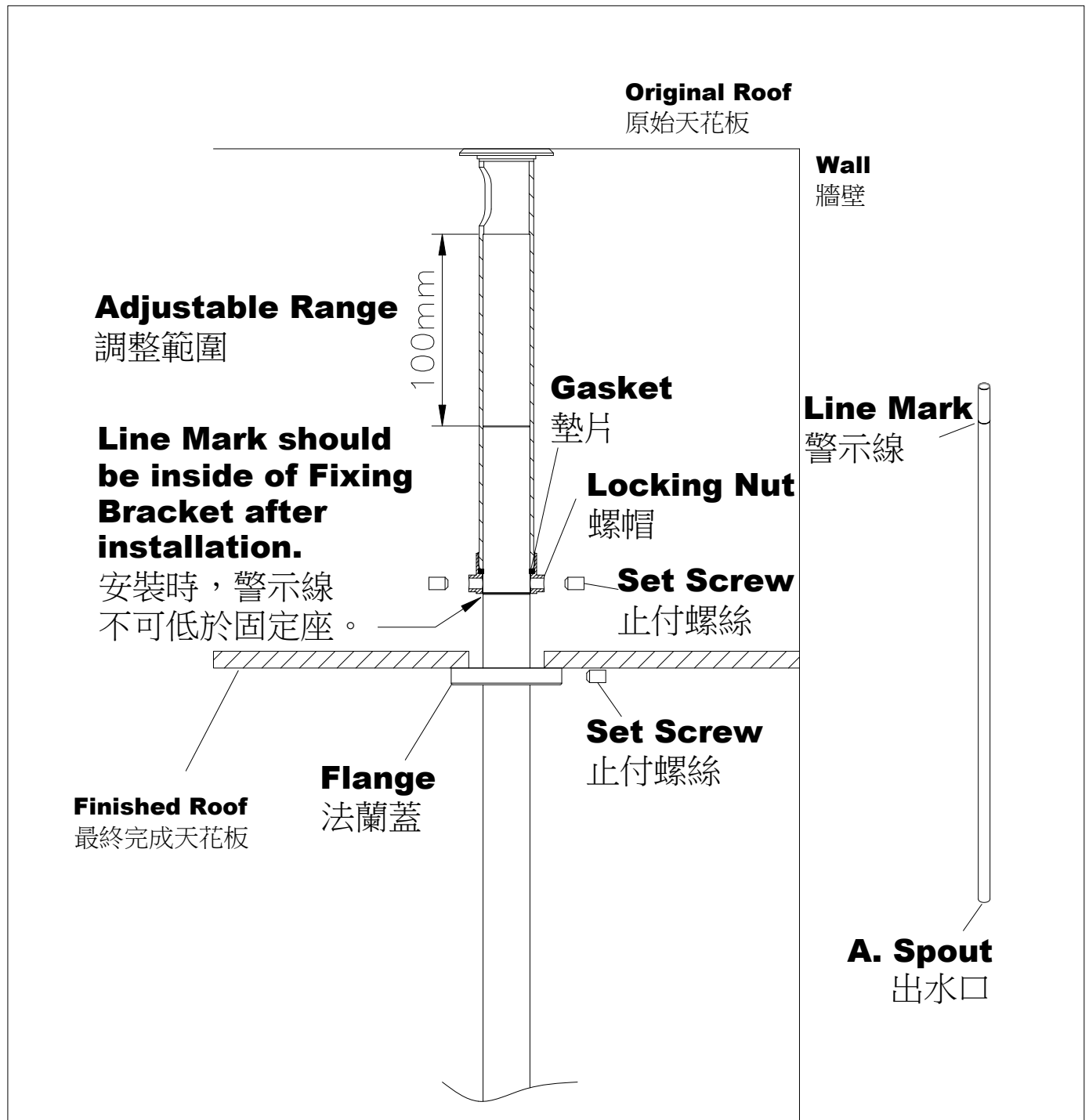
* After install the **Fixing Bracket**, please leave the 40mm hole on the Finished Roof for next installing steps.

安裝固定座後，請在後續天花板施工時，在正下方預留40mm的孔洞，以利後續安裝。



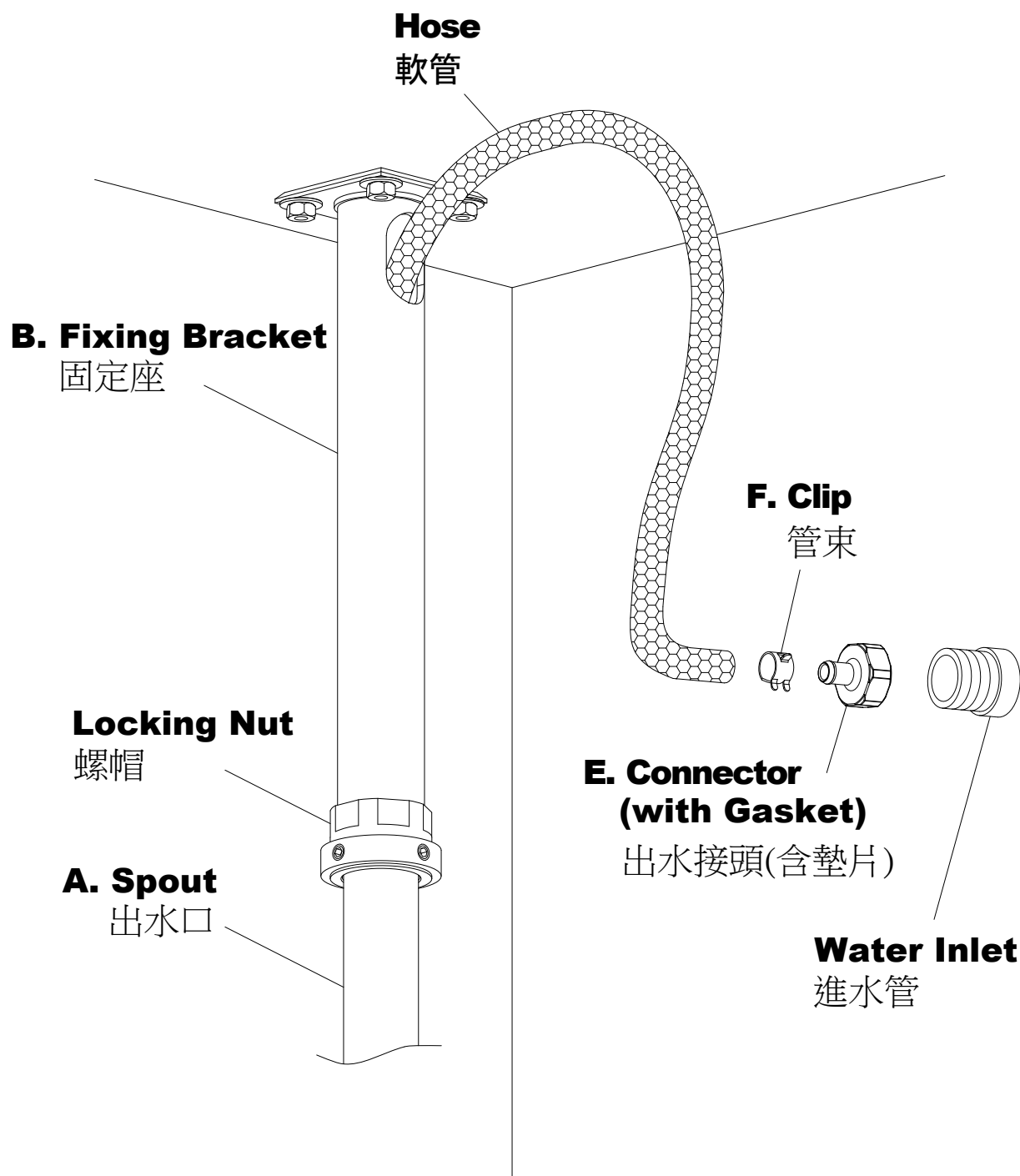
* Disassemble Locking Nut from **Fixing Bracket** first. Insert **Spout** With Hose from the Reserved Hole on Finished Roof, and go through the Locking Nut, Gasket, and **Fixing Bracket** in sequence. Make sure Hose go out from the side hole of **Fixing Bracket**.

將固定座底部螺帽鬆退，並將出水孔從下方穿過預留孔，再依序穿過螺帽、墊片、固定座，並讓軟管從固定座的側孔穿出。



* There are 100mm adjustable range for **Spout**, please help to make sure the Line Mark should be inside of **Fixing Bracket** after installation. After adjust the height of **Spout**, tighten the Locking Nut, fix with Set Screw on both sides, cover the Flange, and then securely fix Flange with Set Screw.

出水口有100mm的上下調整範圍，調整時注意警示線不可低於固定座。調整後將螺帽逼緊，並在兩側鎖上螺絲固定，最後將法蘭蓋蓋上，再從側邊鎖上螺絲固定即可。



* After install the **Spout**, screw the **Connector** to water inlet with **Gasket**, and then fix the Hose to **Connector** with **Clip**.

安裝好出水口後，先把出水接頭(含墊片)鎖在進水管，然後把軟管穿過管束，並連接到出水接頭，最後用管束固定軟管即可。

WARRANTY

Sheng Tai Brassware Co., Ltd. offer a three-year warranty on all of the Faucets & Bathroom Accessories from date of purchasing. The warranty covers any defect in material and workmanship during normal residential use. The following conditions of defect are charged for maintaining.

- Damage caused by accident, misuse, improper care and cleaning.
- Improper using or installation.
- Defects because of the external factors, such as erodent environment (ex. Seashore or mineral spring.), animal bites or dead bug remains in product etc.
- Defect because of sand or impurity stuck in faucet water way.
- Using water not adhered to the regulations of national standard.
- Deficiency caused by freeze.
- Not showing this warranty card.
- Not filling out in the blank of name of customer, date of purchase, cost of purchase, company of installation (retail store) and stamp on warranty card.
- Sheng Tai Co., Ltd. is not responsible for labor charges, installation, or other incidental or consequential costs.

勝泰衛材股份有限公司提供所有的水龍頭及浴室配件，從購買之日起三年保固。保固範圍包括在一般住宅正常使用的期間，發現產品有任何材質和加工上的瑕疵。如瑕疵有下列情形，將收取維修費用。

- 因意外事故、不當操作使用，不當的保養維護和清洗所造成的損害。
- 不當使用或安裝。
- 外在因素造成產品的瑕疵，如易造成侵蝕的環境（如濱海或溫泉地區）、動物嚙咬或屍體存在於產品內造成的損壞。
- 因砂子或雜質卡住水龍頭水路造成的損壞。
- 沒有依循國家標準的規定使用水源造成的損壞。
- 因冰凍造成的水量不足。
- 未出示此保固卡。
- 未在空白處填寫客戶名稱，購買日期，購買成本，安裝公司（零售商店），及保證卡上未蓋章。
- 勝泰衛材股份有限公司不負責工人費用，安裝，或其他附帶或間接產生的費用。

Customer	Name		Tel	
	Address			
Product	Serial No.		Name	
	Warranty	Three year from date of purchase.		
Purchase place	Store		Tel	
	Address			
Purchase Date				
Purchase Price				

JUSTIME

www.justime.com

SHENG TAI BRASSWARE CO., LTD.

No.99 Sec.3 Chang Tsao Rd. Ho Me, Chang Hua, Taiwan

508 台灣彰化縣和美鎮彰草路3段99號

TEL: +886-4-7629971~4

FAX: +886-4-7526980

E-mail: shengtai@ms10.hinet.net

Facebook: www.facebook.com/JUSTIME