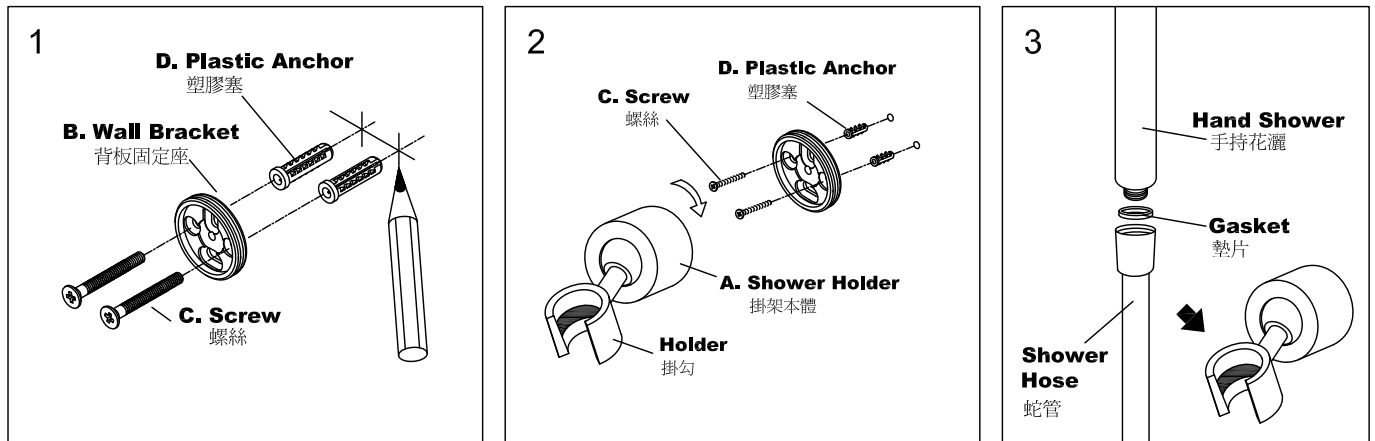


INSTALLATION INSTRUCTIONS

A. SHOWER HOLDER

花灑掛架組安裝說明



1. Select proper position for product and mark center of mounting hole on wall as fig.1 shown.
請先選取預定安裝的位置,並在牆壁上畫上預定鑽孔記號,如圖示1.
2. Using a 6mm drill-bit, drill the holes in marked position to a depth of 4cm. Insert the **Plastic Anchors** into the holes on the wall, fix **Wall Bracket** with **Screw** on the wall as fig.2 shown.
當安裝在水泥牆,使用1/4吋鑽頭,鑽孔深度4公分,填入塑膠塞並使之齊平於牆面,將背板固定片以螺絲鎖緊在牆上,如圖示2.
3. Hand tighten **Shower Holder** clockwise onto **Wall Bracket** as fig.2 shown.
固定掛架背板之後,將掛架順時針鎖入固定座至鎖緊,如圖示2.
4. Adjust the **Holder** to correct position as fig.2 shown.
調整掛勾轉至正確適當位置,如圖示2.

FIXING CONTENTS

組配件內容



B. HAND SHOWERS / SHOWER HOSE

手持花灑 / 花灑蛇管

1. Connect **Hand Shower** With **Hose**, and then place the **Hand Shower** on the Holder as fig.3 shown.
再將所選購的手持花灑接上蛇管,插於掛架內,如圖示3.

WALL BRACKETS COULD COLLOCATE WITH VARIOUS JUSTIME HAND SHOWERS.

可搭配巧時代(JUSTIME)其他造型手持花灑

