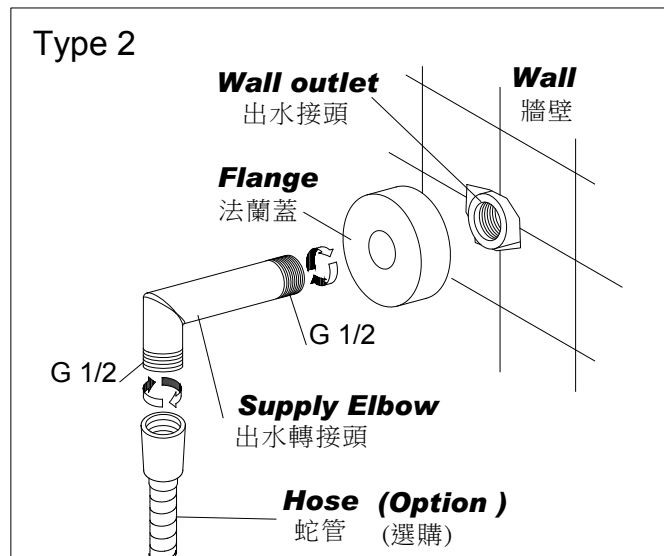
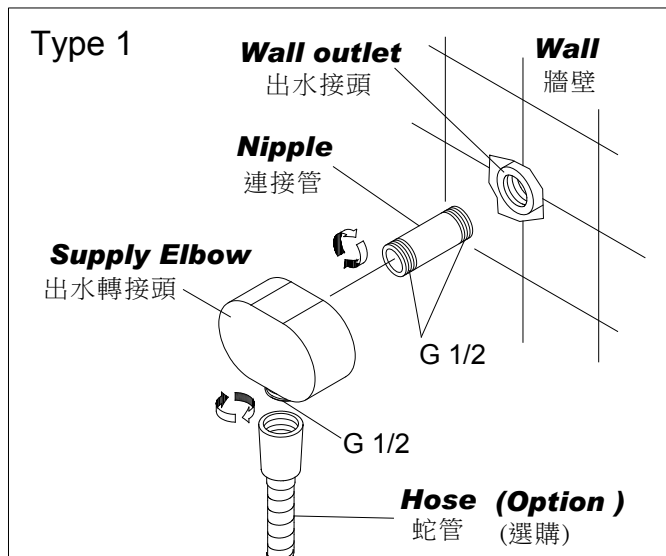


INSTALLATION INSTRUCTIONS

Supply Elbow Series

出水轉接頭安裝說明



1. Choose a proper **Nipple** for connecting the **Supply Elbow** to **Wall outlet**.
先量測牆壁出水接頭與出水轉接頭內牙距離，然後依量測結果取適當長度的連接管。
2. Apply pipe compound or thread sealant tape to the thread of **Nipple**, and then screw the **Supply Elbow** to the **Wall outlet** till against the **wall**.
將連接管的外牙塗上牙管膠或包覆止洩帶，然後將出水轉接頭鎖入牆壁出水接頭。
3. Connect the **Hose (Option)** to the G1/2 thread under the **Supply Elbow**.
將蛇管鎖到出水轉接頭下方G1/2外螺紋。

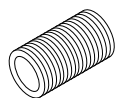
1. Apply pipe compound or thread sealant tape to the thread of **Supply Elbow**, and then screw the **Supply Elbow** to the **Wall outlet**.
將連接管的外牙塗上牙管膠或包覆止洩帶，然後將出水轉接頭鎖入牆壁出水接頭。
2. Connect the **Hose (Option)** to the G1/2 thread under the **Supply Elbow**.
將蛇管鎖到出水轉接頭下方G1/2外螺紋。

OPTIONAL FIXING CONTENTS

選購組配件內容

A. JUSTIME Option Spec. Of Nipple.

巧時代連接管規格選項



0757-NC-68RB
G1/2X73mm



0757-NB-68RB
G1/2X50mm



0757-NA-68RB
G1/2X30mm