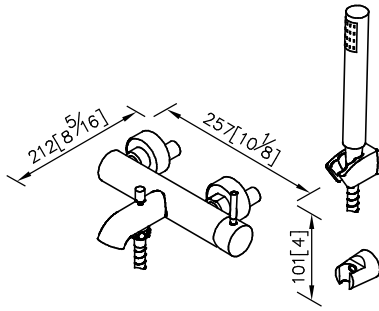


**Bath/Shower Faucet**  
**6765-94-82P1**



- 1.Brass of casting body meets ISO CuZn40Pb standard.
- 2.Premium metal construction for durability.
- 3.Justime finishes resist corrosion and tarnish.
- 4.Finish meets the standard of ASTM-SC2.
- 5.Handle material meets JIS 3771 Standard.
- 6.With 3-positions Wall Bracket.
- 7.With G 1/2 to water supply wall outlet.
- 8.Coordinates with other products in Pan I collection.

unit: mm[inch]

