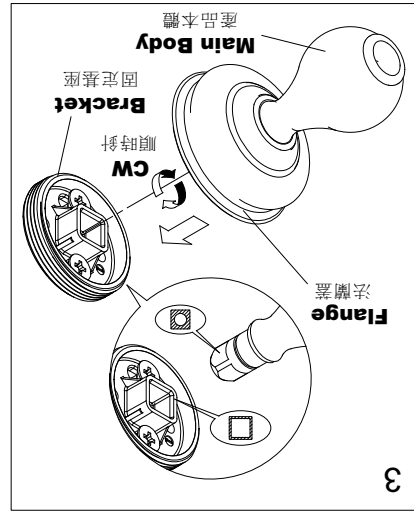
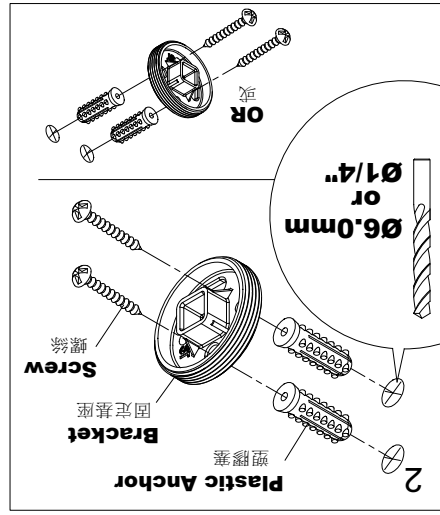
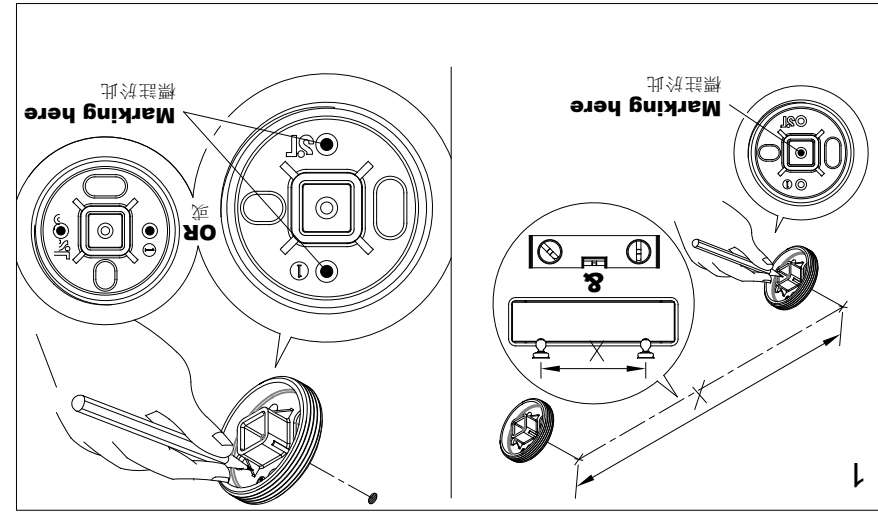


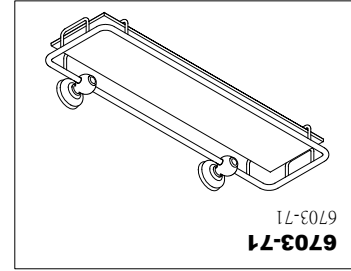
INSTALLATION INSTRUCTIONS

6703-71安裝說明

SERIES:
6703



1. Select proper position for product and mark center of mounting hole on wall. For double **Bracket** fixing, mark centers of mounting holes by using a spirit level and refer to the **Template** (C/C 277mm) and actual product for distance between hole centers. 請先選取預定安裝的位置,並在牆壁上畫上預定鑽孔記號,如果安裝雙背板基座的產品,請先確認鑽孔的位置是在同一水平線上,並以對位紙(中心距277mm)及產品比對確認鑽孔的距離.
2. Using a 6mm drill-bit, drill the hole(s) in marked position(s) to a depth of 4cm. Insert the **Plastic Anchor(s)** to the hole(s) on the wall, put the **Screw(s)** through the **Bracket(s)**, and then screw into the **Plastic Anchor(s)**. 當安裝在水泥牆,使用6mm鑽頭,鑽孔深度4公分,嵌入塑膠塞並使之齊平於牆面,將固定基座以螺絲鎖緊在牆上.
3. Aim the square hole(s) of **Bracket(s)** with **Main Body(s)**, and then clockwise screw the **Flange(s)** to **Bracket(s)** till against the wall. 將本體對準固定基座四角孔,順時針旋轉法蘭蓋鎖入固定基座,直到法蘭緊貼牆壁固定.



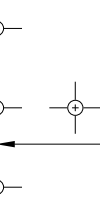
6703-71
對位紙

JUSTIME 巧時代 | SHENG TAI BRASSWARE CO., LTD.

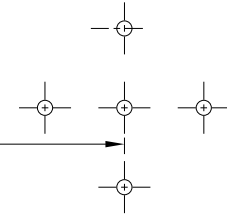
www.justime.com

000 310118

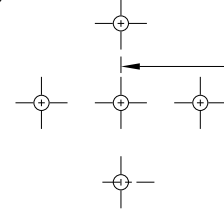
PU67-03-ST71
MADE IN TAIWAN



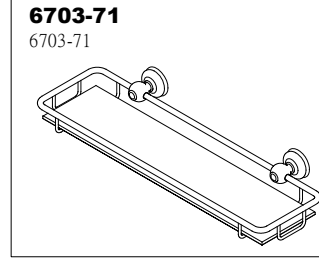
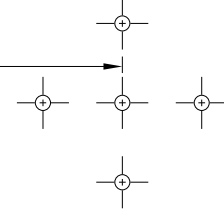
277mm



Template
對位紙



277mm



6703-71
6703-71

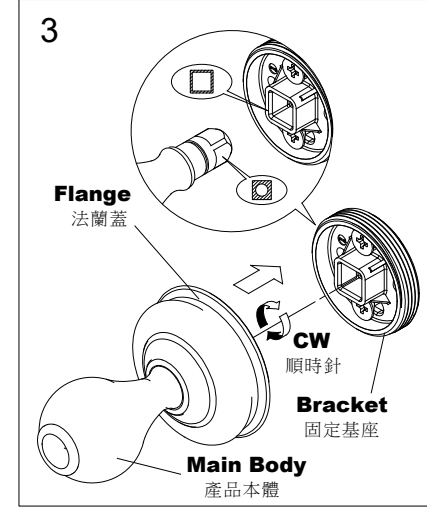
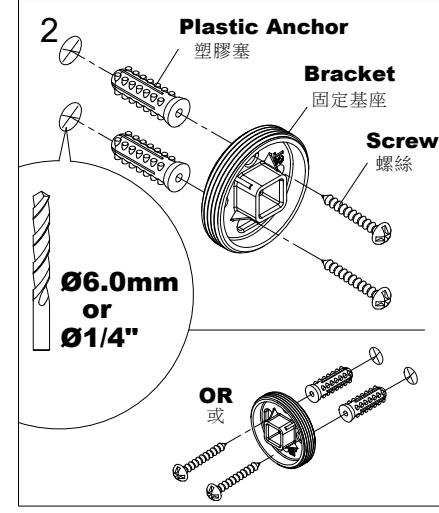
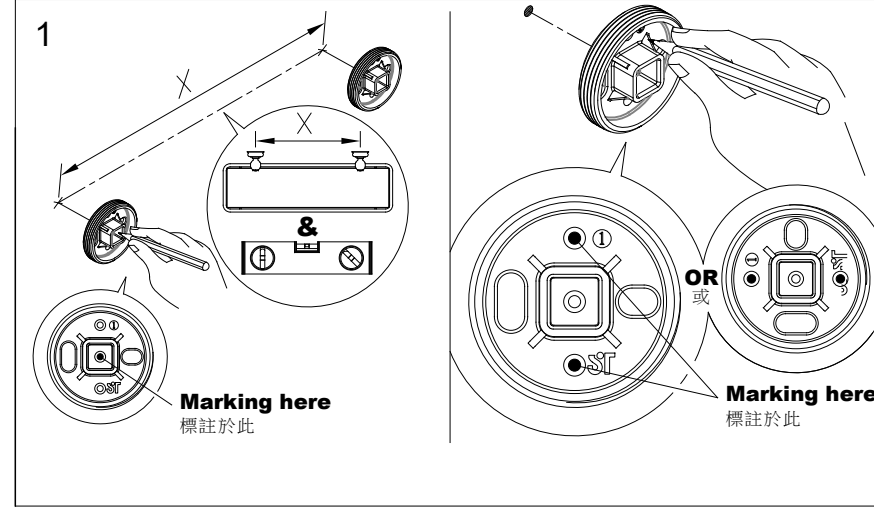
JUSTIME 巧時代 | SHENG TAI BRASSWARE CO., LTD.

www.justime.com

000 310118

PU67-03-ST71
MADE IN TAIWAN

6703
SERIES:



1. Select proper position for product and mark center of mounting hole on wall. For double **Bracket** fixing, mark centers of mounting holes by using a spirit level and refer to the **Template** (C/C 277mm) and actual product for distance between hole centers. 請先選取預定安裝的位置,並在牆壁上畫上預定鑽孔記號,如果安裝雙背板基座的產品,請先確認鑽孔的位置是在同一水平線上,並以對位紙(中心距277mm)及產品比對確認鑽孔的距離.
2. Using a 6mm drill-bit, drill the hole(s) in marked position(s) to a depth of 4cm. Insert the **Plastic Anchor(s)** to the hole(s) on the wall, put the **Screw(s)** through the **Bracket(s)**, and then screw into the **Plastic Anchor(s)**. 當安裝在水泥牆,使用6mm鑽頭,鑽孔深度4公分,嵌入塑膠塞並使之齊平於牆面,將固定基座以螺絲鎖緊在牆上.
3. Aim the square hole(s) of **Bracket(s)** with **Main Body(s)**, and then clockwise screw the **Flange(s)** to **Bracket(s)** till against the wall. 將本體對準固定基座四角孔,順時針旋轉法蘭蓋鎖入固定基座,直到法蘭緊貼牆壁固定.

INSTALLATION INSTRUCTIONS

6703-71安裝說明