

### Turn-Over Drain 6502-N4-81CP

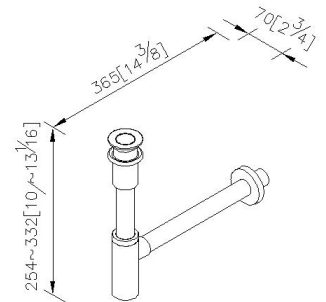
#### INTRODUCTION:

Turn-over drain could help you with forgetting putting the traditional style drain. Just need to press the drain slightly and the drain will cover the tube. So that you could avoid the insects from the tube. The hole item is made by brass, it is easy to install and clean.



#### DESCRIPTION:

- 1.Brass of forging body meets JIS 3771 standard.
- 2.Premium metal construction for durability.
- 3.Justime finishes resist corrosion and tarnish.
- 4.Finish meets the standard of ASTM-SC2.
- 5.Material of brass tube meets JIS C2700 standard.



unit: mm[inch]

#### Certification:

#### Fixing Kits:

- 1.N/A

#### AWARD: