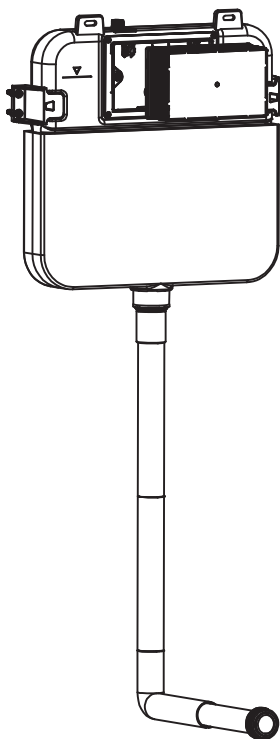


INSTALLATION INSTRUCTIONS

Concealed Cistern
隱藏式水箱安裝說明

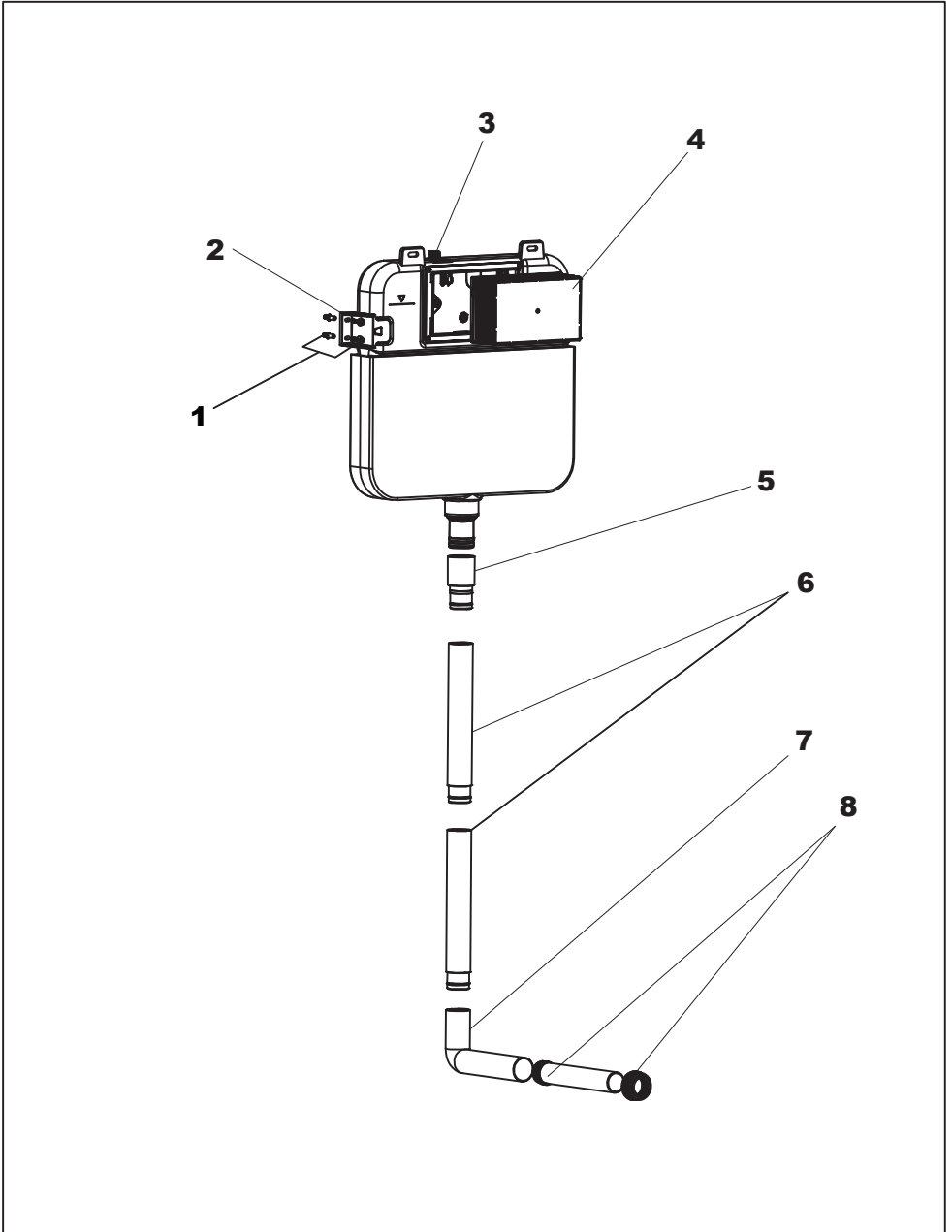
Applicable Product Number:
適用產品型號:



6373-03-8000

FIXING CONTENTS

組配件內容



FIXING CONTENTS

組配件內容

NO	Description 名稱	Qty 數量	Function 用途
1	Expansion screw 膨脹螺釘組	4	For fixing the concealed cistern. 固定水箱用
2	Wall bracket 水箱固定卡扣	2	
3	Angle valve (INLET) 調節閥	1	Fill valve inlet and shut-off. 進水閥進止水開關
4	Plastic holder 安裝盒	1	For reserving the space for the actuator installation during wall building. 砌牆時為面板的安裝預留空間用 For preventing the dust and impurities into tank during wall building. 砌牆時防止灰塵等髒物進入水箱
5	Adapter 過渡接頭	1	For Connecting the water inlet of tank with a straight pipe. 水箱出水口與進水直管連接
6	Straight pipe 直管	2	Water inlet pipe goes into squatting pan (cut to customer's request)
7	Bending pipe 彎管	1	蹲便器進水管道 (可依據安裝高度裁割)
8	Flushing piping 沖刷直管件	1	For connecting the cistern with ceramic bowl (cut in accordance with wall thickness) 用於蹲便器與水箱配件的聯接 (可依據蹲便器與牆的距離裁割)


INSTALLATION NOTE

安裝注意事項

IMPORTANT INSTRUCTION:

1. Please adhere the following installation instructions. We shall not be responsible for failures and loss that are contributed to improper installation.
2. Please confirm the fixation location of the frame prior to installation and obtain the finished floor surface. Draw **FFL** on installation wall and follow it as baseline from ZERO (0) level.
3. These instructions have been composed based on the latest product specifications. We reserve the right to make modifications to the packaging and specifications without providing prior notice.


NOTES:

1. Mount before bricks building.
2. All sizes are shown in MM.
3. The drawing is shown for reference only. Follow the actual product parts.
4. Finished Floor.  FFL $\overset{0}{\nabla}$ = FINISHED FLOOR

重要提示:

1. 安裝前請仔細閱讀說明書,本公司不承擔因安裝人員未按說明書要求施工所造成的損失.
2. 在水箱安裝前,應先確認安裝位置,並根據室內裝修的總體策劃,確定裝修完成後的地板面,並在安裝牆上劃出**FFL**線,並始終以此作為高度0的基準線.
3. 所有資料是按出版時的最新產品資料編寫,本公司保留在任何時候不需通知便可更改產品的特徵.包裝或供應產品的權利.

注意事項:

1. 請在貼瓷磚之前安裝本產品
2. 所有的尺寸單位為毫米(mm)
3. 圖示零件若與實物不符,請以實物為準;
4.  FFL $\overset{0}{\nabla}$ = 工程完工後的地板面

INSTALLATION INSTRUCTIONS

安裝說明

1

General dimension and water supply drawings:

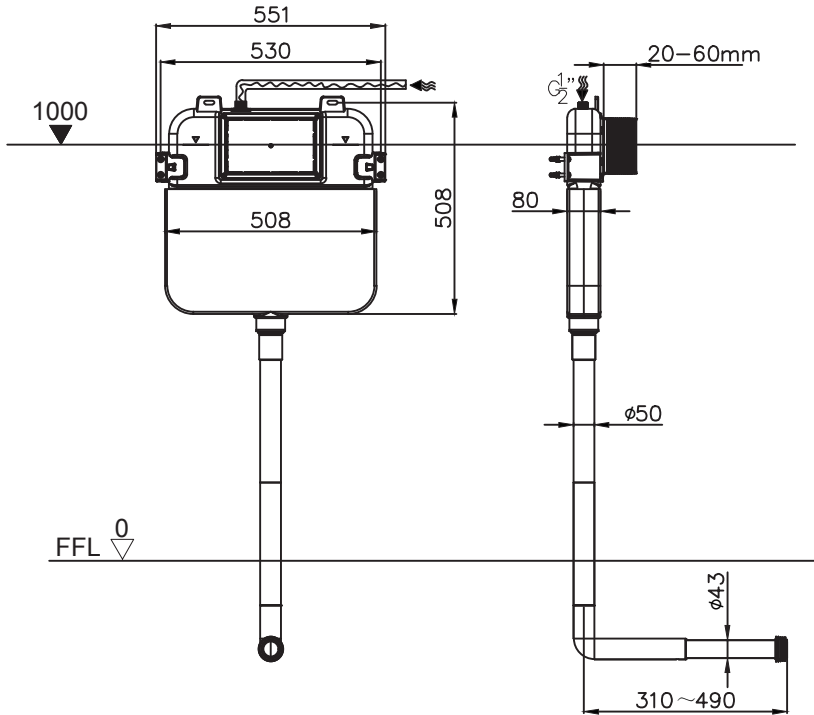
Water supply connects from top :

(It must be connected to the angle valve inside of the cistern)

基本尺寸及供水管道鋪設:

水箱頂孔進水

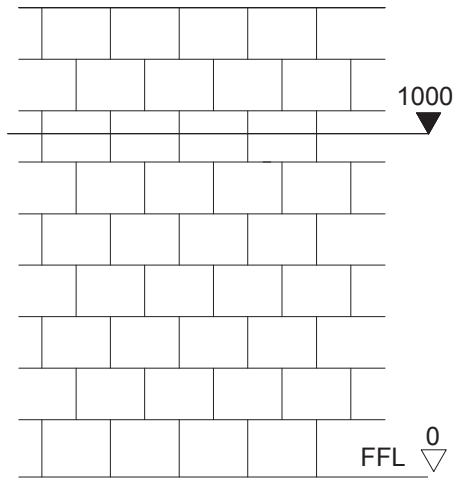
(供水管必須接在水箱自帶的調節閥上)



2

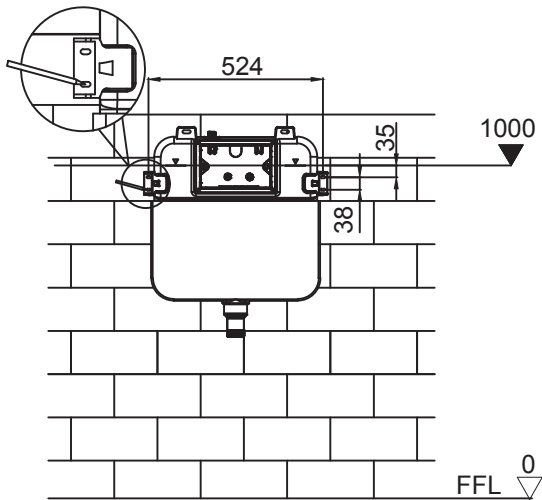
2-1. Determine the position of 1m line and the position of drilling holes.

2-1. 確定1米線的位置及鑽孔位置:



2-2. Note: Follow the practical location of the concealed cistern to drill properly.

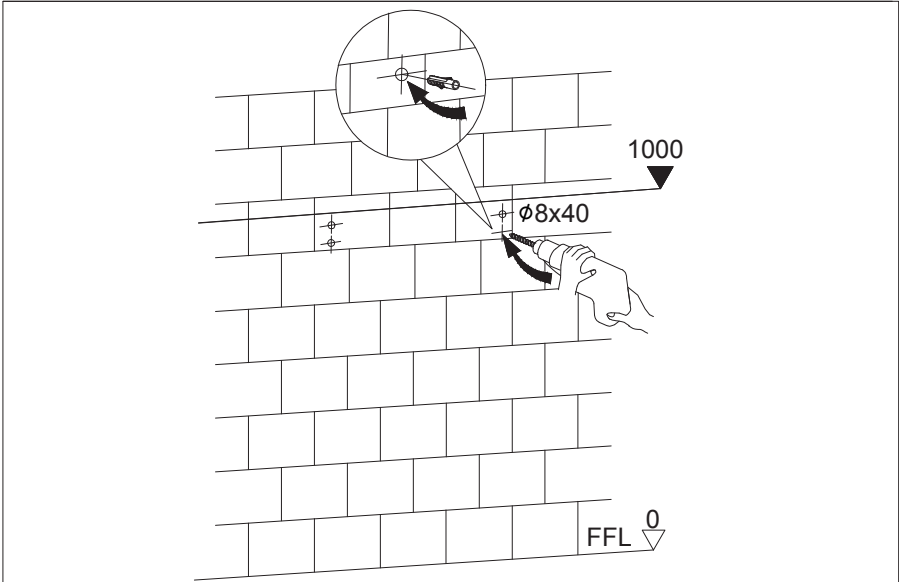
提示: 鑽孔位置的尺寸應根據安裝時水箱的實際安裝位置來確定。



3

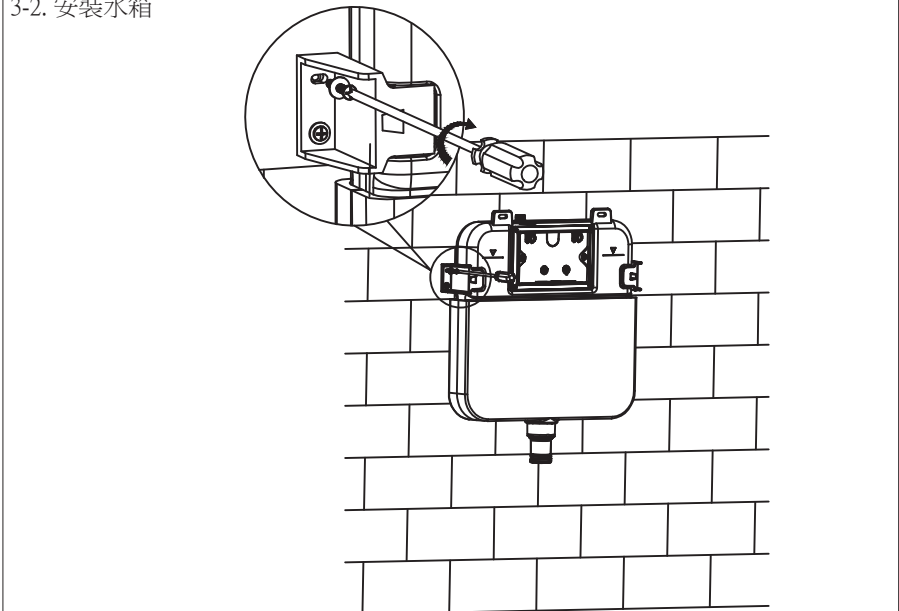
3-1. Drill the holes and insert the expansion bolt.

3-1. 鑽孔並裝入塑膠塞



3-2. Install the concealed cistern

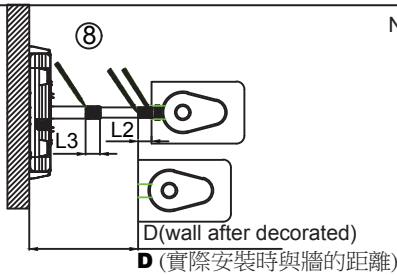
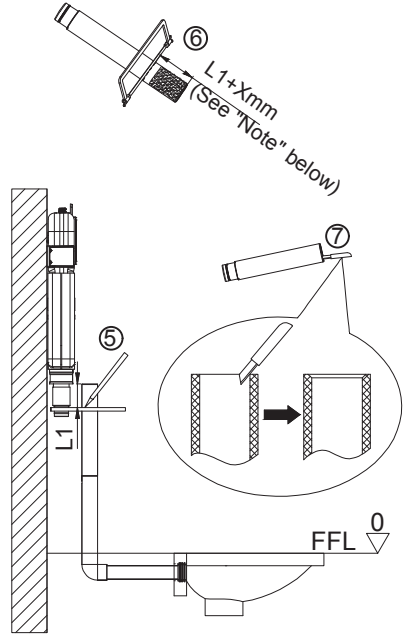
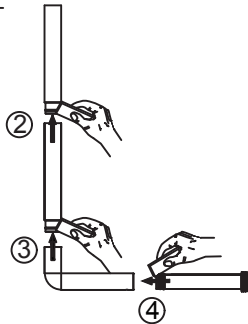
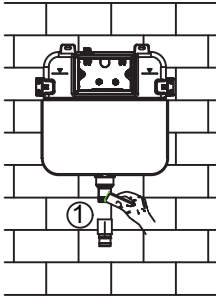
3-2. 安裝水箱



4

Install the bending pipe and the straight pipe

彎管與直管的安裝



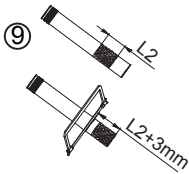
Note:

X=3mm in case of $L1 \leq 25\text{mm}$

當 $L1 \leq 25\text{mm}$ 時，
步驟 ⑥ 中 X=3mm;

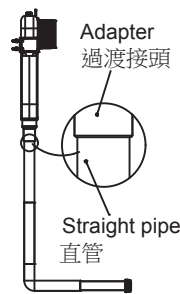
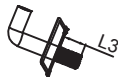
X=15mm in case of $L1 > 25\text{mm}$

當 $L1 > 25\text{mm}$ 時，
步驟 ⑥ 中 X=15mm;

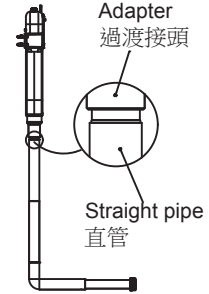


⑪ According to actual installation requirement, cut straight pipe to adjust $L3$ ($0 \leq L3 \leq 180\text{mm}$).

根據實際安裝需要，彎管可鋸短 $L3$ ($0 \leq L3 \leq 180\text{mm}$).

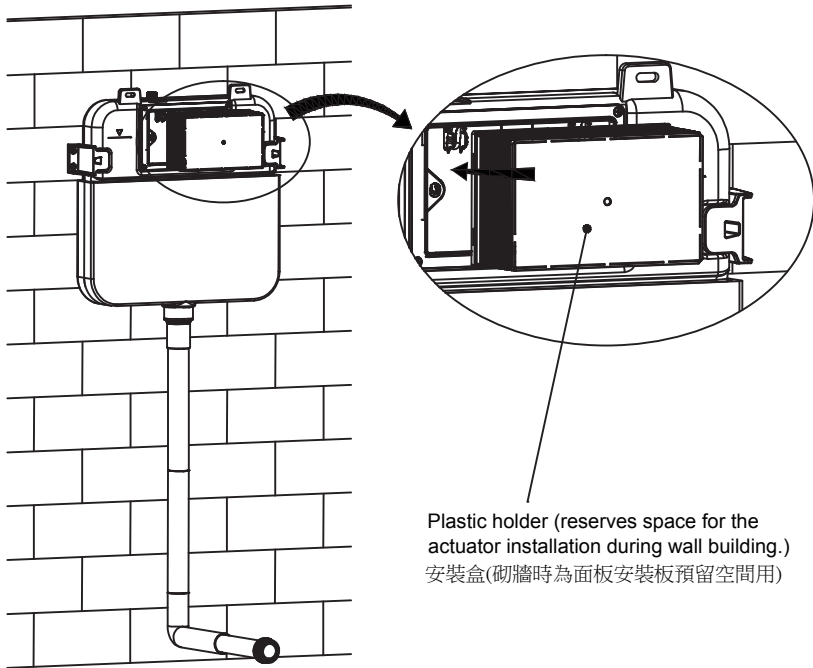


Install as per the drawing above in case of $L1 \leq 25\text{mm}$
當 $L1 \leq 25\text{mm}$ 時，
完成示意圖。



Install as per the drawing above in case of $L1 > 25\text{mm}$
當 $L1 > 25\text{mm}$ 時，
完成示意圖。

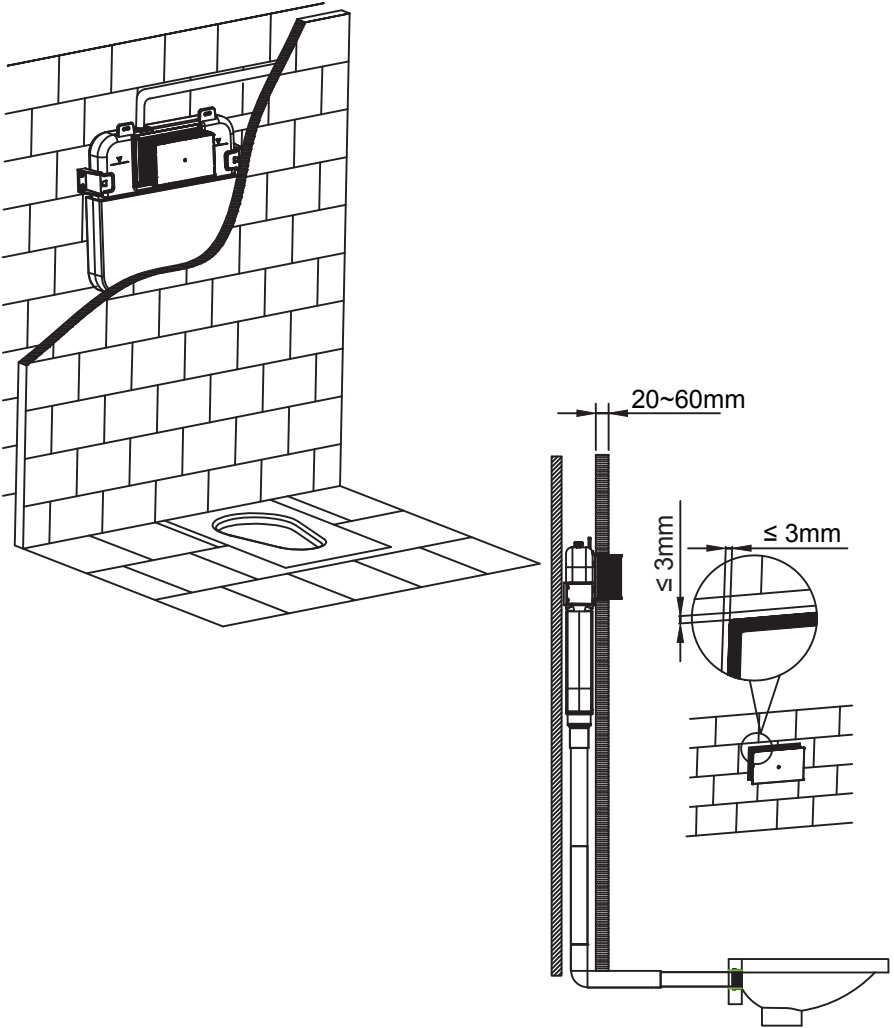
5 Mount the installation accessories
裝修嵌件的安裝



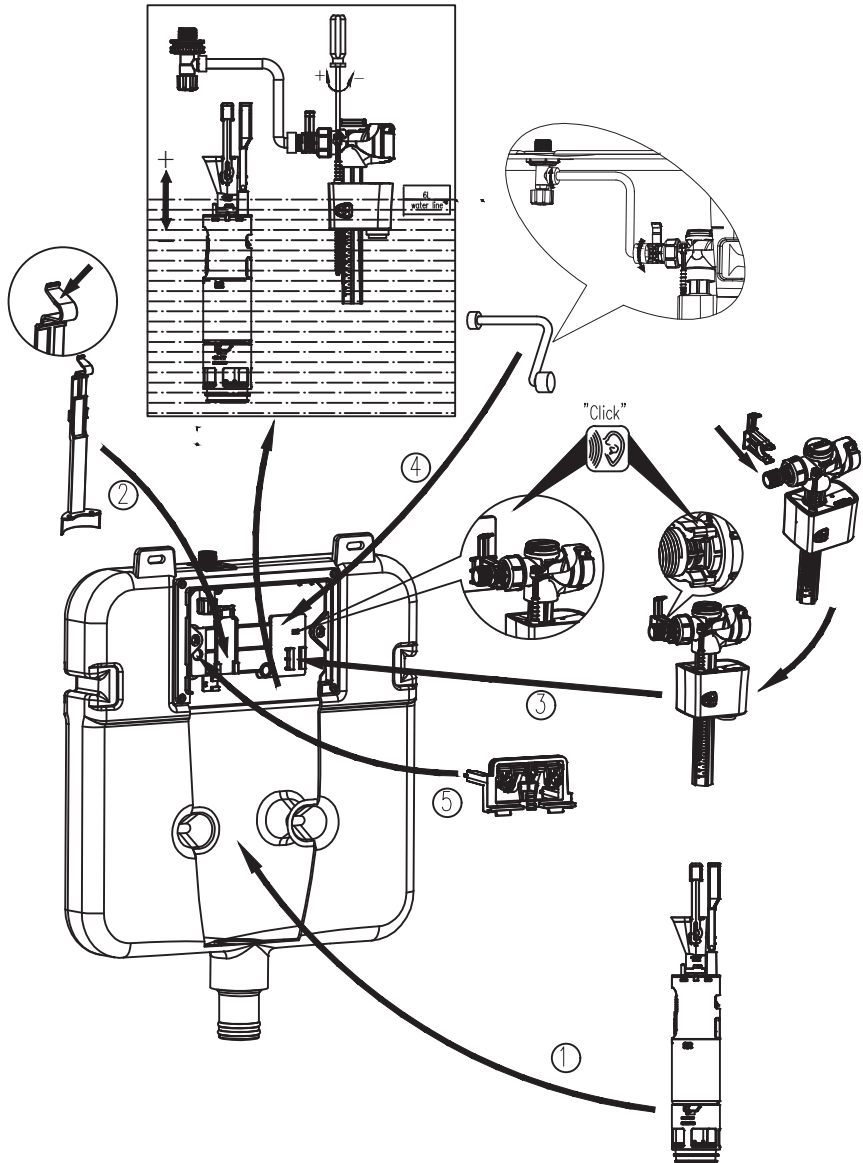
Plastic holder (reserves space for the actuator installation during wall building.)
安裝盒(砌牆時為面板安裝板預留空間用)

6

Wall thickness ranges between 20-60mm (from outside cistern surface to the finished wall)
裝修牆面厚度範圍20~60mm (從外水箱面算起至貼磚後完成面)



7



* The internal flushing mechanism is already well-assembled and above picture is shown for reference only.

水箱配件出廠時已安裝好,以上圖示提供參考.

WARRANTY

Sheng Tai Brassware Co., Ltd. offer a one-year warranty on all of the Concealed Cistern from date of purchasing. The warranty covers any defect in material and workmanship during normal residential use. The following conditions of defect are charged for maintaining.

- Damage caused by accident, misuse, improper care and cleaning.
- Improper using or installation.
- Defects because of the external factors, such as erodent environment (ex. Seashore or mineral spring.), animal bites or dead body remains in product etc.
- Defect because of sand or impurity stuck in Concealed Cistern water way.
- Using water not adhered to the regulations of national standard.
- Deficiency caused by freeze.
- Not showing this warranty card.
- Not filling out in the blank of name of customer, date of purchase, cost of purchase, company of installation (retail store) and stamp on warranty card.
- Sheng Tai Brassware Co., Ltd. is not responsible for labor charges, installation, or other incidental or consequential costs.

勝泰衛材股份有限公司提供所有的隱藏式水箱，從購買之日起一年保固。保固範圍包括在一般住宅正常使用的期間，發現產品有任何材質和加工上的瑕疵。如瑕疵有下列情形，將收取維修費用。

- 因意外事故、不當操作使用，不當的保養維護和清洗所造成的損害。
- 不當使用或安裝。
- 外在因素造成產品的瑕疵，如易造成侵蝕的環境（如濱海或溫泉地區）、動物嚙咬或屍體存在於產品內造成的損壞。
- 因砂子或雜質卡住水路造成的損壞。
- 沒有依循國家標準的規定使用水源造成的損壞。
- 因冰凍造成的水量不足。
- 未出示此保固卡。
- 未在空白處填寫客戶名稱，購買日期，購買成本，安裝公司（零售商店），及保證卡上未蓋章。
- 勝泰衛材股份有限公司不負責工人費用，安裝，或其他附帶或間接產生的費用。

Customer	Name		Tel	
	Address			
Product	Serial No.		Name	
	Warranty	One year from date of purchase.		
Purchase place	Store		Tel	
	Address			
Purchase Date				
Purchase Price				

JUSTIME
www.justime.com

SHENG TAI BRASSWARE CO., LTD.

No.99 Sec.3 Chang Tsao Rd. Ho Me, Chang Hua, Taiwan

508 台灣彰化縣和美鎮彰草路3段99號

TEL: +886-4-7629971~4

FAX: +886-4-7526980

E-mail: shengtai@ms10.hinet.net

Facebook: www.facebook.com/JUSTIME