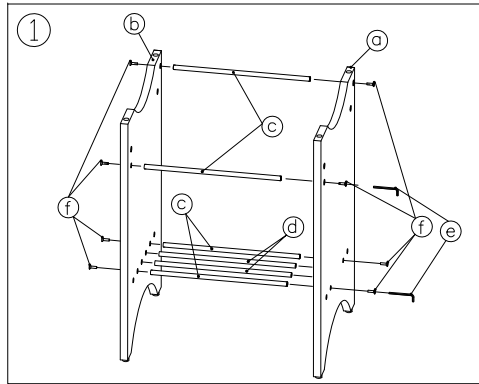


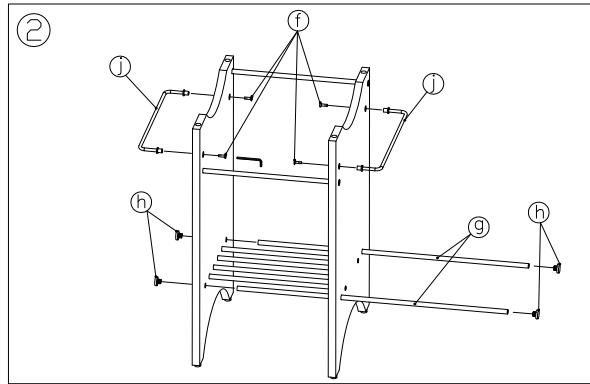
# INSTALLATION GUIDE

## BASIN TABLE 檯面組安裝說明



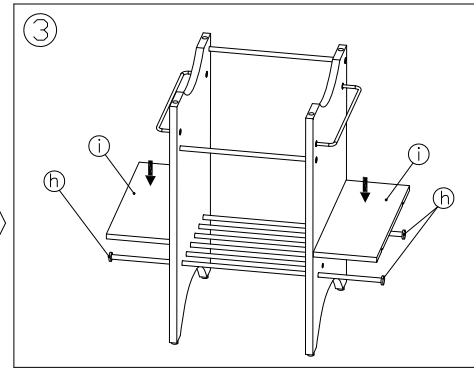
Assembling main parts with attached **Hexagon Key** as shown in figure ①.

用六角板手安裝主要的零件，如圖①。



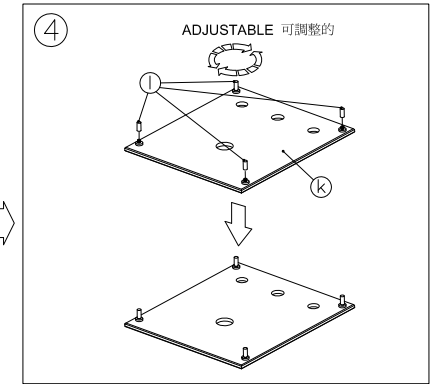
Assembling **Towel Rails** and **77cm-Length Tubes** as shown in figure ②.

安裝毛巾桿和77公分長銅管，如圖②。



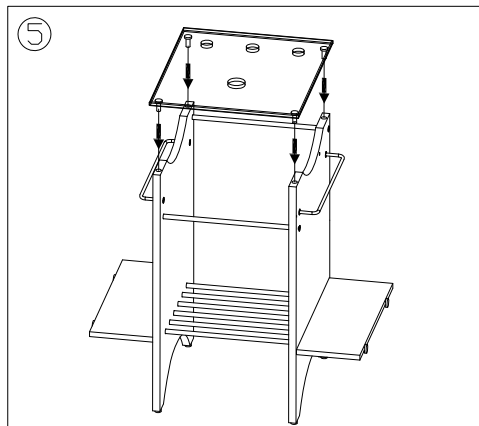
Installing **Wooden Shelves** on appropriate positions as shown in figure ③. Adjust and tighten **End Caps** for fit and fix **Wooden Shelves**.

在適當的位置置放支架側板，如圖③。調整銅管把手蓋使支架側板固定。



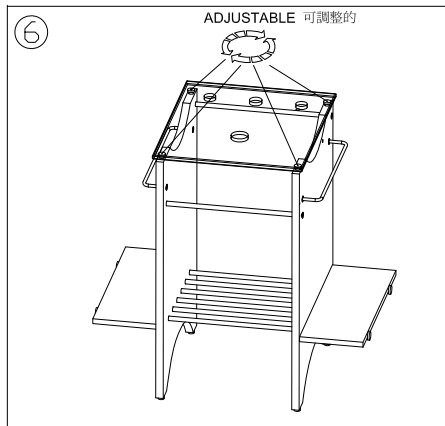
Screwing **Adjusting Holders** on **Tempered Table Glass** ④

在玻璃檯面上鎖上四個可調整支撐架。



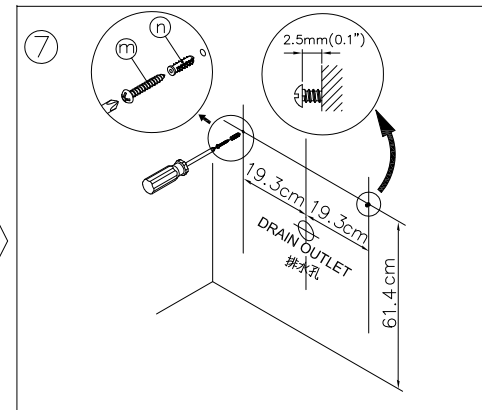
Install **Tempered Table Glass** as shown in figure ⑤, placing four **Adjusting Holders** into holes for fit.

安裝玻璃檯面，如圖⑤。將4個可調整支撐架固定於適當位置。



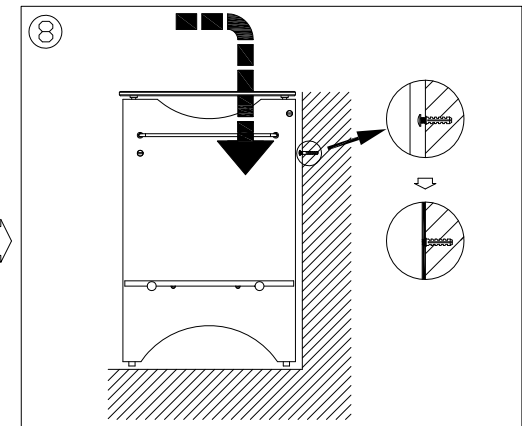
Level **Tempered Table Glass** by twisting **Adjusting Holders**. ⑥

旋轉在玻璃檯面的可調整支撐架，並調整桌面水平，即完成檯面組裝。



Mark two vertical lines both sides 19.3cm (0.76") from the center of drain outlet, and meantime, using assembled table-keyholes as template or mark and drill two fixing holes for **Stainless Steel Wall Screws** as shown in figure ⑦.

用鉛筆在距離牆上排水孔左右各19.3公分處，並在高度61.4公分處畫上2個銀螺絲的記號。在畫上記號前，必須注意牆角及地面是否平整且與牆面垂直，並再次確認2記號間與地面的距離。填入塑膠塞並使之齊平於牆面，不要將不銹鋼螺絲全部鎖緊，調整到如圖面所示的適當位置，螺絲頭與牆面須留2.5mm的距離。



Insert two **Stainless Steel Wall Screw** heads into keyholes on the back of **L & R Side Boards** and press downward. Be sure the basin table is flush and tighten to wall. ⑧

將左、右側腳板後方的孔嵌入二處的螺絲頭並且向下按壓，確認腳板是否完全卡緊，並使之齊平牆面。

## FIXING CONTENTS

組配件內容

<p>① <b>Wooden side-Board(R)</b> X1 右側腳板</p>	<p>② <b>39cm-Length tub W/Internal Thread</b> X4 銅管 39公分長(內牙)</p>	<p>③ <b>Hexagon Key</b> X1 六角板手</p>	<p>④ <b>77cm-Length Tub</b> X2 長銅管 77公分長</p>	<p>⑤ <b>Wooden Shelf</b> X2 支架側板</p>	<p>⑥ <b>Tempered Table Glass</b> X1 玻璃檯面</p>	<p>⑦ <b>Stainless Steel Wall Screw</b> X2 不銹鋼螺絲</p>
<p>⑧ <b>Wooden side-Board(L)</b> X1 左側腳板</p>	<p>⑨ <b>39cm-Length Tub</b> X2 銅管 39公分長</p>	<p>⑩ <b>Hexalobular Socket Flat Head Screw</b> X12 內六角螺絲</p>	<p>⑪ <b>End Cap</b> X4 銅管把手蓋</p>	<p>⑫ <b>Towel Rail</b> X2 毛巾桿</p>	<p>⑬ <b>Adjusting Holder</b> X4 可調整支撐架</p>	<p>⑭ <b>Plastic Anchor</b> X2 塑膠塞</p>